

JVC

SERVICE MANUAL

COLOUR TELEVISION

BASIC CHASSIS

MD

AV-32WFP1EU_(A)

AV-32WFP1EUI_(A)

AV-32WFP1EK_(A)

Supplementary

Since some details of the AV-32WFP1EU, AV-32WFP1EK (No.51550 Jun. 1999) & AV-32WFP1EUI (No.51550B Jan. 2000) SERVICE MANUAL were changed, we are informing you of the NEW SERVICE MANUAL (Revised edition, No.51550C Jun. 2000).

This revised edition contains some changes in the SERVICE ADJUSTMENTS, and REVISED PARTS LIST and STANDARD CIRCUIT DIAGRAM.

Please use this manual together with the previous SERVICE MANUAL (No.51550 Jun. 1999 / 51550B Jan. 2000).

■ OUTLINE OF CHANGES

The CRT of this model has been changed to "W76ERF031X044" from "W76LPX955X01." As a consequence, the printed wiring board has also been revised.

Please use this manual together with the previous SERVICE MANUAL.

CONTENTS

■ HOW TO IDENTIFY MODELS	2
■ SERVICE ADJUSTMENTS	2
★ STANDARD CIRCUIT DIAGRAM (APPENDIX)	2-1
■ PARTS LIST	3

PARTS LIST

REVISED EDITION

CAUTION

- The parts identified by the \triangle symbol are important for the safety. Whenever replacing these parts, be sure to use specified ones to secure the safety .
- The parts not indicated in this Parts List and those which are filled with lines — in the Parts No. columns will not be supplied.
- P. W. Board Ass'y will not be supplied, but those which are filled with the Parts No. in the Parts No. columns will be supplied.

ABBREVIATIONS OF RESISTORS, CAPACITORS AND TOLERANCES

RESISTORS		CAPACITORS	
C R	Carbon Resistor	C CAP.	Ceramic Capacitor
F R	Fusible Resistor	E CAP.	Electrolytic Capacitor
P R	Plate Resistor	M CAP.	Mylar Capacitor
V R	Variable Resistor	HV CAP.	High Voltage Capacitor
HV R	High Voltage Resistor	MF CAP.	Metalized Film Capacitor
MF R	Metal Film Resistor	MM CAP.	Metalized Mylar Capacitor
MG R	Metal Glazed Resistor	MP CAP.	Metalized Polystyrol Capacitor
MP R	Metal Plate Resistor	PP CAP.	Polypropylene Capacitor
OM R	Metal Oxide Film Resistor	PS CAP.	Polystyrol Capacitor
CMF R	Coating Metal Film Resistor	TF CAP.	Thin Film Capacitor
UNF R	Non-Flammable Resistor	MPP CAP.	Metalized Polypropylene Capacitor
CH V R	Chip Variable Resistor	TAN. CAP.	Tantalum Capacitor
CH MG R	Chip Metal Glazed Resistor	CH C CAP.	Chip Ceramic Capacitor
COMP. R	Composition Resistor	BP E CAP.	Bi-Polar Electrolytic Capacitor
LPTC R	Linear Positive Temperature Coefficient Resistor	CH AL E CAP.	Chip Aluminum Electrolytic Capacitor
		CH AL BP CAP.	Chip Aluminum Bi-Polar Capacitor
		CH TAN. E CAP.	Chip Tantalum Electrolytic Capacitor
		CH AL BP E CAP.	Chip Tantalum Bi-Polar Electrolytic Capacitor

TOLERANCES									
F	G	J	K	M	N	R	H	Z	P
±1%	±2%	±5%	±10%	±20%	±30%	+30% -10%	+50% -10%	+80% -20%	+100% -0%

CONTENTS

MAIN DIFFERENCE PARTS LIST	5
EXPLODED VIEW [I]	6
EXPLODED VIEW PARTS LIST [I]	7
EXPLODED VIEW PARTS LIST [II]	8
EXPLODED VIEW [II]	9
■ PRINTED WIRING BOARD PARTS LIST	

AV-32WFP1EU_(A) / AV-32WFP1EUI_(A)

● MAIN PW BOARD ASS'Y	10
● POWER / DEF PW BOARD ASS'Y	14
● CRT SOCKET PW BOARD ASS'Y	16
● AUDIO PW BOARD ASS'Y	17
● FRONT CONTROL PW BOARD ASS'Y	17
● DOLBY PW BOARD ASS'Y	18
● IF PW BOARD ASS'Y	19
● AV TERMINAL PW BOARD ASS'Y	21
● PIP PW BOARD ASS'Y	21
● SUB MICON & AUTO PANORAMA PW BOARD ASS'Y	23
● 100Hz PW BOARD ASS'Y	24

AV-32WFP1EK_(A)

● MAIN PW BOARD ASS'Y	27
● POWER / DEF PW BOARD ASS'Y	31
● CRT SOCKET PW BOARD ASS'Y	31
● AUDIO PW BOARD ASS'Y	31
● FRONT CONTROL PW BOARD ASS'Y	31
● DOLBY PW BOARD ASS'Y	31
● IF PW BOARD ASS'Y	31
● AV TERMINAL PW BOARD ASS'Y	32
● PIP PW BOARD ASS'Y	32
● SUB MICON & AUTO PANORAMA PW BOARD ASS'Y	34
● 100Hz PW BOARD ASS'Y	34

■ PACKING	35
■ PACKING PARTS LIST	35
■ REMOTE CONTROL UNIT PARTS LIST	36

MAIN DIFFERENCE PARTS LIST (between without "A" and with "A" model)

△	model name PWB name	Model No. & Parts No.		Remarks
		AV-32WFP1EU / EUI	AV-32WFP1EU(A) / EUI(A)	
		AV-32WFP1EK	AV-32WFP1EK(A)	

● USING PW BOARD (Page 5)

	MAIN PWB	SMD-1001A-U2	SMD-1008A-U2	EU / EUI	Not interchangeable
		SMD-1901A-U2	SMD-1904A-U2	EK	↑
	POWER/DEF PWB	SMD-2001A-U2	SMD-2008A-U2	EU / EUI	↑
		↑	↑	EK	↑
	CRT SOCKET PWB	SMD-3001A-U2	SMD-3005A-U2	EU / EUI	↑
		↑	↑	EK	↑
	FRONT CONTROL PWB	SMD-8001A-U2	SMD-8008A-U2	EU / EUI	↑
		↑	↑	EK	↑
	100Hz PWB	SMD0Z001A-U2	SMD0Z005A-U2	EU / EUI	↑
		↑	↑	EK	↑
	IF PWB	SMD0F001A-U2	SMD0F003A-U2	EU / EUI	↑
		SMD0F902A-U2	SMD0F903A-U2	EK	↑

● EXPLODED VIEW PARTS LIST (Page 7 & 8)

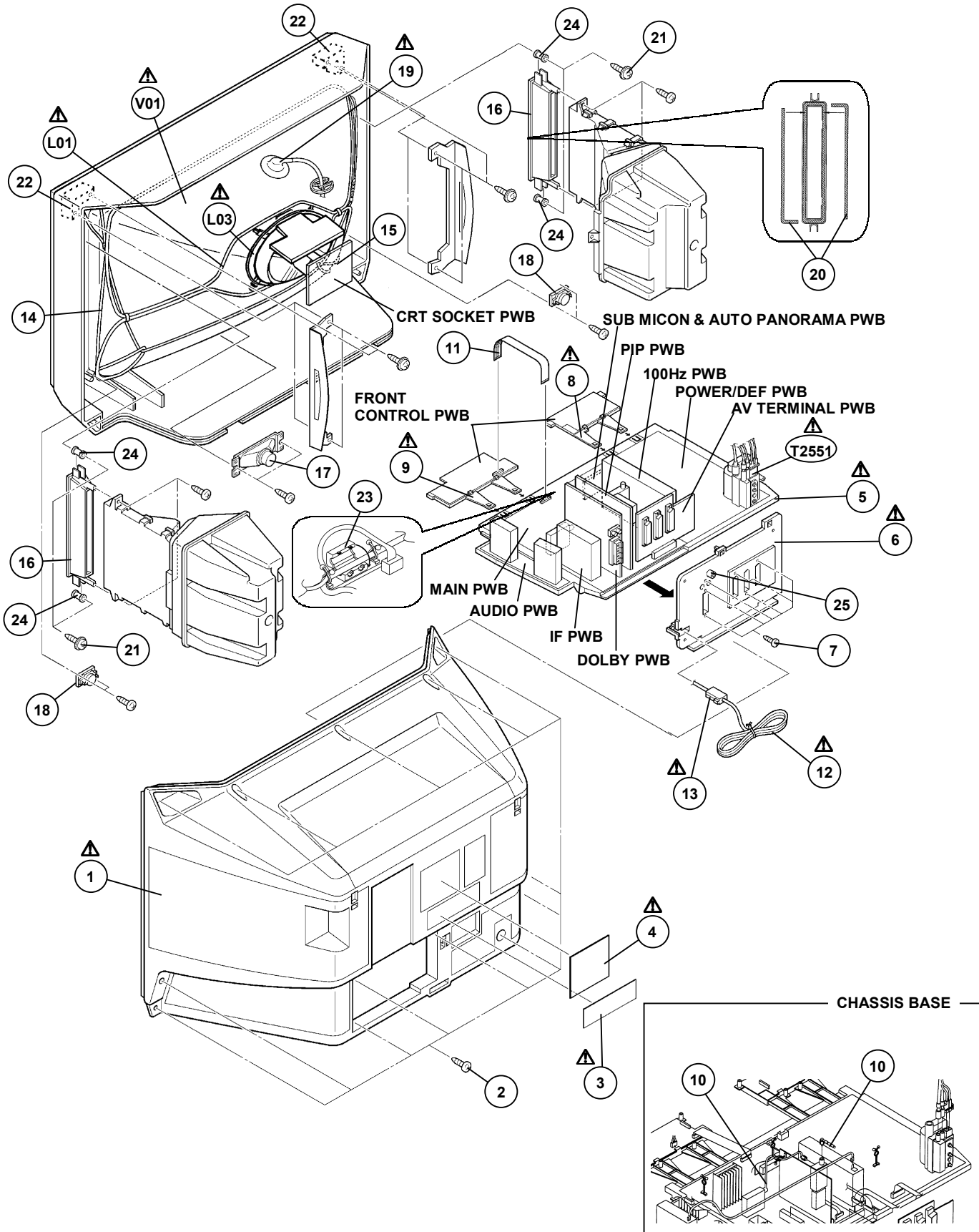
△	PICTURE TUBE (ITC)	W76LPX955X01	W76ERF031X044	V01	Not interchangeable
△	DEG. COIL	QQW0037-001	QQW0066-001	L01	↑
△	ROTATION COIL	QQW0040-001	CELD904-001	L03	↑
	E. BRAIDED	WJY0007-001A	CHGB0029-0C		↑
	SUB BRAIDED	—————	CHGB0017-0B		↑
△	FBT(SERVICE)	QQH0053-002-I2	QQH0054-002-I2	T2551	↑
△	RATING LABEL	LC20379-001A-U LC20380-001B-U	LC20379-007A-U LC20380-007A-U	EU	↑
		LC20080-006A-U	LC20080-010A-U	EUI	↑
		LC20091-002A-U	LC20075-031A-U	EK	↑

● PACKING PARTS LIST (Page 35)

	EURO LABEL	AEM1039-057-E	AEM1052-005-E	EU	Not interchangeable
		AEM1039-074-E	AEM1052-004-E	EUI	↑
		AEM1039-056-E	AEM1052-003-E	EK	↑
△	INST BOOK	LCT0337-001A-U LCT0338-001A-U LCT0339-001A-U	LCT0037-002A-U LCT0038-002A-U LCT0339-002A-U	EU	↑
		LCT0337-001A-U	LCT0037-002A-U	EUI	↑
		LCT0340-001A-U	LCT0340-002A-U	EK	↑
	PACKING CASE	AEM1002-065-E	AEM1002-065-E	EU / EUI / EK	↑
	X-RAR CARD	LC10102-009AU	AEM1053-001-E	EU	↑

AV-32WFP1EU(A) / AV-32WFP1EUI(A) / AV-32WFP1EK(A)

EXPLODED VIEW [I]



AV-32WFP1EU(A) / AV-32WFP1EUI(A) / AV-32WFP1EK(A)

EXPLODED VIEW PARTS LIST [I]

△ Ref.No.	Part No.	Part Name	Description
△ L01	QQW0066-001	DEGAUSSING COIL	
△ L03	CELD904-001	ROTATION COIL	
△ T2551	QQH0054-002-I2	H.V. TRANSF.	(SERVICE)
△ V01	W76ERF031X044	ITC TUBE(C)	Inc. DY, PC, WED
△ 1	LC10378-001D-U	REAR COVER	
△ 2	QYSBSAG4016N	TAPPING SCREW	(×13) For REAR COVER
△ 3	LC20380-007A-U	RATING LABEL	For ENG/ESP/FRA
△ 3	LC20075-031A-U	RATING LABEL	AV-32WFP1EK(A)
△ 4	LC20379-007A-U	RATING LABEL	For ENG/GER/ITA AV-32WFP1EU(A)
△ 4	LC20080-010A-U	RATING LABEL	AV-32WFP1EUI(A)
△ 5	CM12923-A01-E	CHASSIS BASE	
△ 6	LC10381-001D-U	AV BOARD	
△ 7	QYSBSB3012M	TAPPING SCREW	(×6) For AV BOARD
△ 8	LC10380-001C-U	CONTROL BASE L	
△ 9	LC10380-002B-U	CONTROL BASE R	
10	CHGY0017-0A-YS	ANTENNA CABLE	(×2)
△ 11	CHFD125-14BD	FFC WIRE	
△ 12	QMPK160-185-JC	POWER CORD	AV-32WFP1EU(A)
△ 12	QMPN130-185-JC	POWER CORD	AV-32WFP1EUI(A) / AV-32WFP1EK(A)
△ 13	CM46618-A01-E	POWER CORD CLAMP	
14	CHGB0029-0C	BRAIDED ASSY	
15	CHGB0017-0B	BRAIDED SUB ASSY	(×2)
16	LC10379-001A-U	HORN ADAPTER	(×2)
17	QAS0030-001	SPEAKER	SP03
18	CEBSF02K-01KJ6	SPEAKER	(×2) SP04, SP05
△ 19	QNZ0407-001	ANODE WIRE	
20	LC30820-001C	SP SPACER	(×4)
21	LC40506-001A	TAPPING SCREW	(×4) For HORN ADAPTER
22	LC20508-001D-U	ADAPTOR	(×4)
23	QQR0491-001	FILTER	
24	LC40226-001A	SPACER	(×4)
25	CE42112-002	PALJ CONNECTOR	AV-32WFP1EU(A) / AV-32WFP1EUI(A)
25	CE42112-001	PALJ CONNECTOR	AV-32WFP1EK(A)

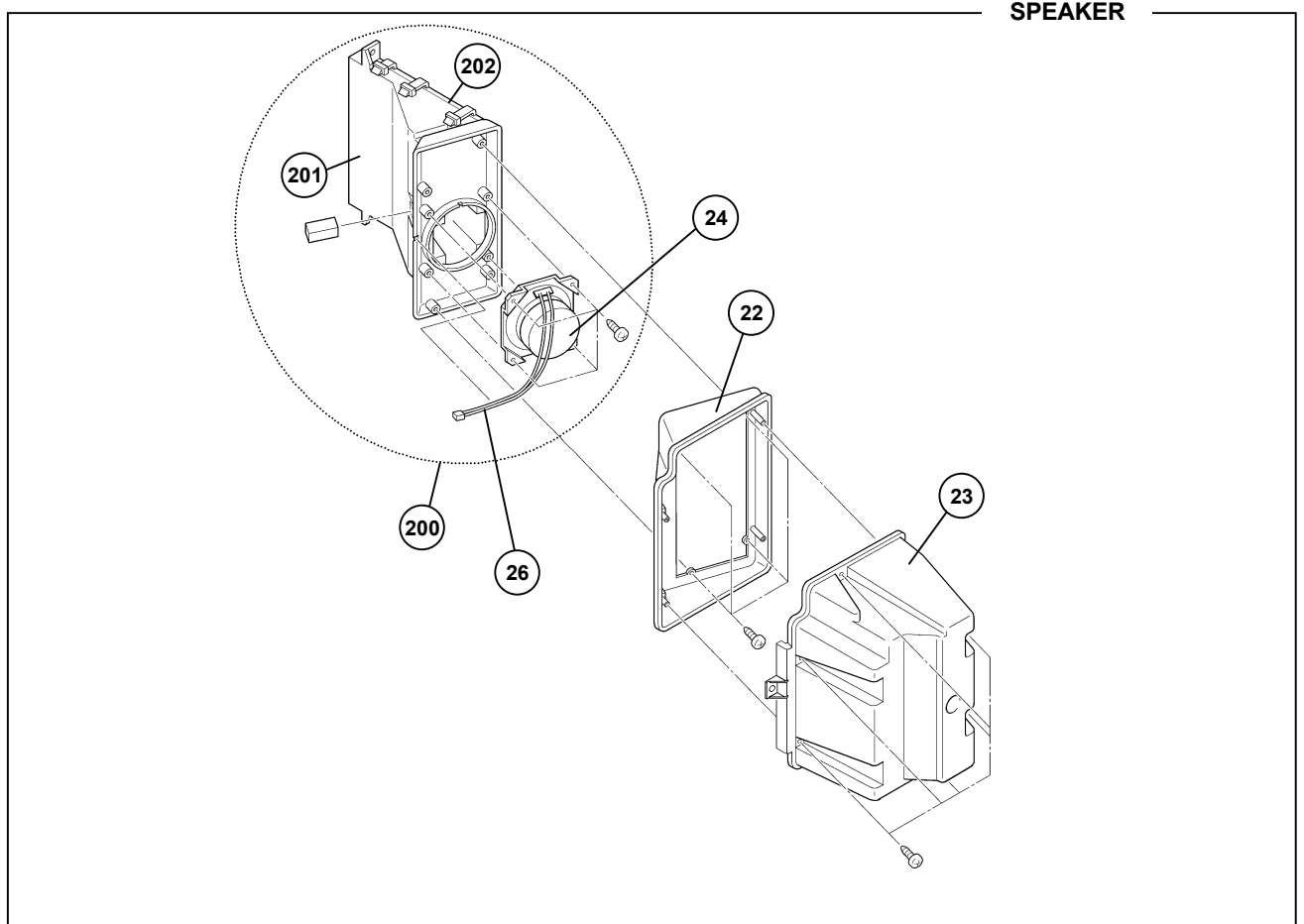
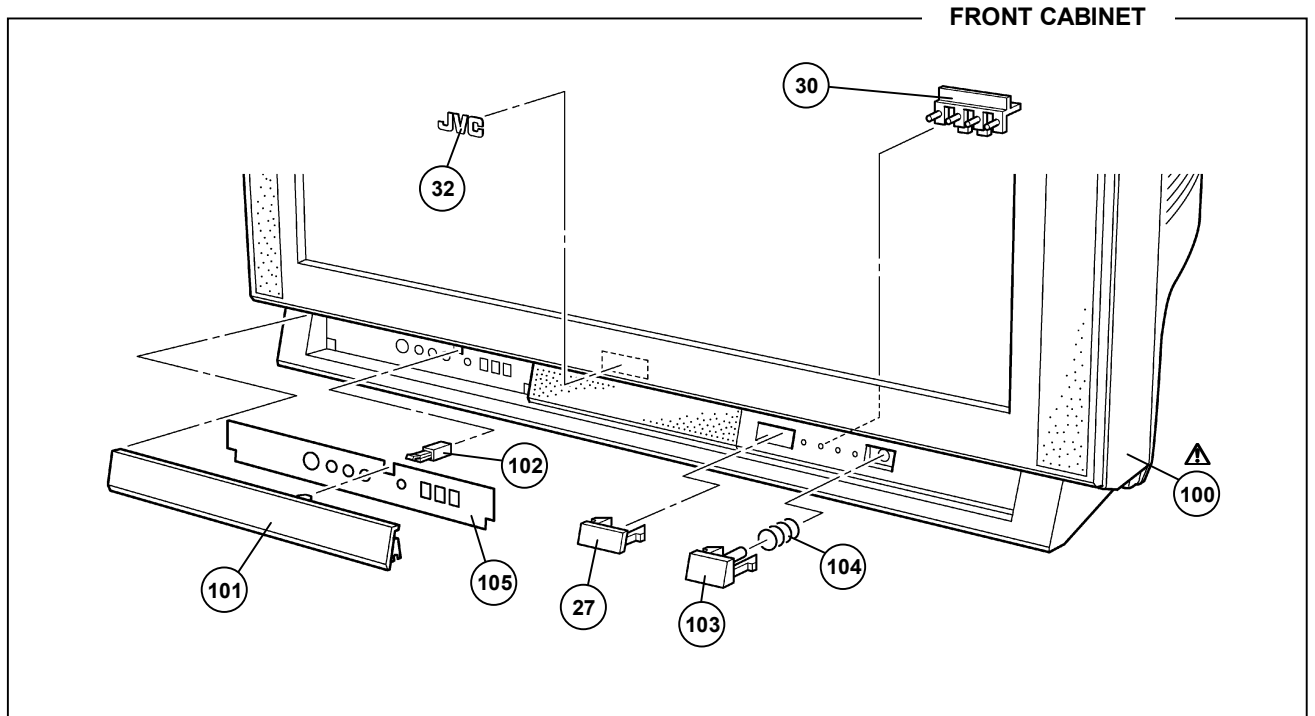
AV-32WFP1EU(A) / AV-32WFP1EUI(A) / AV-32WFP1EK(A)

EXPLODED VIEW PARTS LIST [II]

△ Ref.No.	Part No.	Part Name	Description
AV-32WFP1EU(A)			
22	CM12921-001-E	DOME ADAPTER	(×2)
23	CM12922-A01-E	DOME BOX	(×2)
24	CEBSF10P-05KJ6	SPEAKER	(×2)SP01,SP02
26	CHGS0033-0B	SPEAKER WIRE	(×2)
27	LC30579-001B-C	REMOCON WINDOW	
30	LC30580-001B-C	L.E.D.LENS	
32	LC40354-001C-C	JVC MARK	
△ 100	LC10376-001E-U	FRONT CABINET	Inc.No.101~105
101	LC20265-002A-U	DOOR	(SERVICE)
102	CM48229-00A-C	DOOR LATCH	
103	LC30578-002A-C	POWER KNOB	(SERVICE)
104	AEM3149-001-E	SPRING	
105	LC30597-002A-U	CONTROL SHEET	
200	2528MXSP-2SE	DOME SPK BOX	(×2)Inc.No.201~202
201	CM12463-D01-E	HORN	(×2)
202	CM12464-D01-E	HORN PANEL	(×2)
AV-32WFP1EUI(A)			
22	CM12921-001-E	ADAPTER	(×2)
23	CM12922-A01-E	SPEAKER BOX	(×2)
24	CEBSF10P-05KJ6	SPEAKER	(×2)SP01,SP02
26	CHGS0033-0B	SPEAKER WIRE	(×2)
27	LC30579-001B-C	REMOCON WINDOW	
30	LC30580-001B-C	L.E.D.LENS	
32	LC40354-001C-C	JVC MARK	
△ 100	LC10376-001E-U	FRONT CABINET	Inc.No.101~105
101	LC20265-002A-U	DOOR	(SERVICE)
102	CM48229-00A-C	DOOR LATCH	
103	LC30578-002A-C	POWER KNOB	(SERVICE)
104	AEM3149-001-E	SPRING	
105	LC30597-002A-U	CONTROL SHEET	
200	2528MXSP-2SE	DOME SPK BOX	(×2)Inc.No.201~202
201	CM12463-D01-E	HORN PANEL	(×2)
202	CM12464-D01-E	HORN PANEL	(×2)
AV-32WFP1EK(A)			
22	CM12921-001-E	DOME ADAPTER	(×2)
23	CM12922-A01-E	DOME BOX	(×2)
24	CEBSF10P-05KJ6	SPEAKER	(×2)SP01,SP02
26	CHGS0033-0B	SPEAKER WIRE	(×2)
27	LC30579-001B-C	REMOCON WINDOW	
30	LC30580-001B-C	L.E.D.LENS	
32	LC40354-001C-C	JVC MARK	
△ 100	LC10376-001E-U	FRONT CABINET	Inc.No.101~105
101	LC20265-002A-U	DOOR	(SERVICE)
102	CM48229-00A-C	DOOR LATCH	
103	LC30578-002A-C	POWER KNOB	(SERVICE)
104	AEM3149-001-E	SPRING	
105	LC30597-002A-U	CONTROL SHEET	
200	2528MXSP-2SE	DOME SPK BOX	(×2)Inc.No.201~202
201	CM12463-D01-E	HORN	(×2)
202	CM12464-D01-E	HORN PANEL	(×2)

AV-32WFP1EU_(A) / AV-32WFP1EUI_(A) / AV-32WFP1EK_(A)

EXPLODED VIEW [II]



AV-28WFP1EU(A) / AV-32WFP1EUI(A)

PRINTED WIRING BOARD PARTS LIST
MAIN PW BOARD ASS'Y (SMD-1008A-U2)

Symbol No.	Part No.	Part Name	Description
RESISTOR			
R1002	NRSA02J-103X	MG R	10kΩ 1/10W J
R1003-06	NRSA02J-102X	MG R	1kΩ 1/10W J
R1101-03	NRSA02J-102X	MG R	1kΩ 1/10W J
R1104	NRSA02J-681X	MG R	680Ω 1/10W J
R1105	NRSA02J-392X	MG R	3.9kΩ 1/10W J
R1107	NRSA02J-391X	MG R	390Ω 1/10W J
R1108	NRSA02J-102X	MG R	1kΩ 1/10W J
R1109	NRSA02J-103X	MG R	10kΩ 1/10W J
R1110	NRSA02J-472X	MG R	4.7kΩ 1/10W J
R1111	NRSA02J-821X	MG R	820Ω 1/10W J
R1112	NRSA02J-101X	MG R	100Ω 1/10W J
R1113	NRSA02J-102X	MG R	1kΩ 1/10W J
R1121-22	NRSA02J-0R0X	MG R	0.0Ω 1/10W J
R1123	NRSA02J-152X	MG R	1.5kΩ 1/10W J
R1124	NRSA02J-821X	MG R	820Ω 1/10W J
R1125-27	NRSA02J-103X	MG R	10kΩ 1/10W J
R1128	NRSA02J-153X	MG R	15kΩ 1/10W J
R1131-33	NRSA02J-102X	MG R	1kΩ 1/10W J
R1134	NRSA02J-681X	MG R	680Ω 1/10W J
R1135	NRSA02J-561X	MG R	560Ω 1/10W J
R1136	NRSA02J-681X	MG R	680Ω 1/10W J
R1137	NRSA02J-102X	MG R	1kΩ 1/10W J
R1138	NRSA02J-391X	MG R	390Ω 1/10W J
R1140	NRSA02J-103X	MG R	10kΩ 1/10W J
R1141	NRSA02J-472X	MG R	4.7kΩ 1/10W J
R1142	NRSA02J-821X	MG R	820Ω 1/10W J
R1151	NRSA02J-222X	MG R	2.2kΩ 1/10W J
R1152-53	NRSA02J-102X	MG R	1kΩ 1/10W J
R1154	NRSA02J-681X	MG R	680Ω 1/10W J
R1155	NRSA02J-561X	MG R	560Ω 1/10W J
R1156	NRSA02J-681X	MG R	680Ω 1/10W J
R1157	NRSA02J-102X	MG R	1kΩ 1/10W J
R1158	NRSA02J-391X	MG R	390Ω 1/10W J
R1160	NRSA02J-103X	MG R	10kΩ 1/10W J
R1161	NRSA02J-472X	MG R	4.7kΩ 1/10W J
R1162	NRSA02J-821X	MG R	820Ω 1/10W J
R1171	NRSA02J-103X	MG R	10kΩ 1/10W J
R1172	NRSA02J-562X	MG R	5.6kΩ 1/10W J
R1173	NRSA02J-221X	MG R	220Ω 1/10W J
R1174	NRSA02J-272X	MG R	2.7kΩ 1/10W J
R1175	NRSA02J-102X	MG R	1kΩ 1/10W J
R1176	NRSA02J-392X	MG R	3.9kΩ 1/10W J
R1177	NRSA02J-472X	MG R	4.7kΩ 1/10W J
R1178	NRSA02J-0R0X	MG R	0.0Ω 1/10W J
R1179	NRSA02J-272X	MG R	2.7kΩ 1/10W J
R1201-02	NRSA02J-103X	MG R	10kΩ 1/10W J
R1203	NRSA02J-750X	MG R	75Ω 1/10W J
R1204	QRK126J-151X	C R	150Ω 1/2W J
R1205	NRSA02J-101X	MG R	100Ω 1/10W J
R1206	QRG01GJ-101	OM R	100Ω 1W J
R1207	NRSA02J-223X	MG R	22kΩ 1/10W J
R1208	NRSA02J-473X	MG R	47kΩ 1/10W J
R1209	NRSA02J-683X	MG R	68kΩ 1/10W J
R1210	NRSA02J-153X	MG R	15kΩ 1/10W J
R1211	NRSA02J-103X	MG R	10kΩ 1/10W J
R1212	NRSA02J-473X	MG R	47kΩ 1/10W J
R1213	NRSA02J-273X	MG R	27kΩ 1/10W J
R1214	NRSA02J-103X	MG R	10kΩ 1/10W J
R1215	NRSA02J-222X	MG R	2.2kΩ 1/10W J
R1216	NRSA02J-333X	MG R	33kΩ 1/10W J
R1217	NRSA02J-222X	MG R	2.2kΩ 1/10W J
R1218	NRSA02J-333X	MG R	33kΩ 1/10W J
R1219	NRSA02J-823X	MG R	82kΩ 1/10W J
R1220	NRSA02J-0R0X	MG R	0.0Ω 1/10W J
R1221	NRSA02J-391X	MG R	390Ω 1/10W J

Symbol No.	Part No.	Part Name	Description
RESISTOR			
R1222	NRSA02J-823X	MG R	82kΩ 1/10W J
R1223	NRSA02J-0R0X	MG R	0.0Ω 1/10W J
R1224	NRSA02J-391X	MG R	390Ω 1/10W J
R1225-26	NRSA02J-223X	MG R	22kΩ 1/10W J
R1227	NRSA02J-104X	MG R	100kΩ 1/10W J
R1228	NRSA02J-680X	MG R	680Ω 1/10W J
R1229	QRK126J-181X	C R	180Ω 1/2W J
R1231	QRG01GJ-101	OM R	100Ω 1W J
R1232	NRSA02J-101X	MG R	100Ω 1/10W J
R1233	NRSA02J-222X	MG R	2.2kΩ 1/10W J
R1242	NRSA02J-223X	MG R	22kΩ 1/10W J
R1243	NRSA02J-473X	MG R	47kΩ 1/10W J
R1244	NRSA02J-683X	MG R	68kΩ 1/10W J
R1245	NRSA02J-153X	MG R	15kΩ 1/10W J
R1246	NRSA02J-103X	MG R	10kΩ 1/10W J
R1247	NRSA02J-473X	MG R	47kΩ 1/10W J
R1248	NRSA02J-273X	MG R	27kΩ 1/10W J
R1249	NRSA02J-103X	MG R	10kΩ 1/10W J
R1250	NRSA02J-222X	MG R	2.2kΩ 1/10W J
R1251	NRSA02J-333X	MG R	33kΩ 1/10W J
R1252	NRSA02J-222X	MG R	2.2kΩ 1/10W J
R1253	NRSA02J-333X	MG R	33kΩ 1/10W J
R1254	NRSA02J-823X	MG R	82kΩ 1/10W J
R1255	NRSA02J-0R0X	MG R	0.0Ω 1/10W J
R1256	NRSA02J-391X	MG R	390Ω 1/10W J
R1257	NRSA02J-823X	MG R	82kΩ 1/10W J
R1258	NRSA02J-0R0X	MG R	0.0Ω 1/10W J
R1259	NRSA02J-391X	MG R	390Ω 1/10W J
R1260-61	NRSA02J-223X	MG R	22kΩ 1/10W J
R1262	NRSA02J-104X	MG R	100kΩ 1/10W J
R1263	NRSA02J-222X	MG R	2.2kΩ 1/10W J
R1264	NRSA02J-333X	MG R	33kΩ 1/10W J
R1265	NRSA02J-222X	MG R	2.2kΩ 1/10W J
R1266	NRSA02J-333X	MG R	33kΩ 1/10W J
R1267-69	NRSA02J-750X	MG R	75Ω 1/10W J
R1277-79	NRSA02J-750X	MG R	75Ω 1/10W J
R1280	NRSA02J-223X	MG R	22kΩ 1/10W J
R1281	NRSA02J-473X	MG R	47kΩ 1/10W J
R1282	NRSA02J-683X	MG R	68kΩ 1/10W J
R1283	NRSA02J-153X	MG R	15kΩ 1/10W J
R1284	NRSA02J-103X	MG R	10kΩ 1/10W J
R1285	NRSA02J-473X	MG R	47kΩ 1/10W J
R1286	NRSA02J-273X	MG R	27kΩ 1/10W J
R1287	NRSA02J-103X	MG R	10kΩ 1/10W J
R1288	NRSA02J-222X	MG R	2.2kΩ 1/10W J
R1289	NRSA02J-333X	MG R	33kΩ 1/10W J
R1290	NRSA02J-222X	MG R	2.2kΩ 1/10W J
R1291	NRSA02J-333X	MG R	33kΩ 1/10W J
R1292	NRSA02J-471X	MG R	470Ω 1/10W J
R1301	NRSA02J-101X	MG R	100Ω 1/10W J
R1302	NRSA02J-471X	MG R	470Ω 1/10W J
R1303	NRSA02J-101X	MG R	100Ω 1/10W J
R1304	NRSA02J-471X	MG R	470Ω 1/10W J
R1305	NRSA02J-221X	MG R	220Ω 1/10W J
R1306	NRSA02J-271X	MG R	270Ω 1/10W J
R1307	NRSA02J-101X	MG R	100Ω 1/10W J
R1308	NRSA02J-471X	MG R	470Ω 1/10W J
R1309	NRSA02J-101X	MG R	100Ω 1/10W J
R1310	NRSA02J-471X	MG R	470Ω 1/10W J
R1311	NRSA02J-221X	MG R	220Ω 1/10W J
R1312	NRSA02J-271X	MG R	270Ω 1/10W J
R1313	NRSA02J-101X	MG R	100Ω 1/10W J
R1314-15	NRSA02J-471X	MG R	470Ω 1/10W J
R1316	NRSA02J-152X	MG R	1.5kΩ 1/10W J
R1317-18	NRSA02J-101X	MG R	100Ω 1/10W J

△ Symbol No.	Part No.	Part Name	Description
RESISTOR			
R1319	NRSA02J-152X	MG R	1.5kΩ 1/10W J
R1320	NRSA02J-221X	MG R	220Ω 1/10W J
R1321	NRSA02J-102X	MG R	1kΩ 1/10W J
R1323-24	NRSA02J-562X	MG R	5.6kΩ 1/10W J
R1326-29	NRSA02J-152X	MG R	1.5kΩ 1/10W J
R1330	NRSA02J-103X	MG R	10kΩ 1/10W J
R1331	NRSA02J-101X	MG R	100Ω 1/10W J
R1332-33	NRSA02J-471X	MG R	470Ω 1/10W J
R1334-35	NRSA02J-152X	MG R	1.5kΩ 1/10W J
R1336	NRSA02J-101X	MG R	100Ω 1/10W J
R1337	NRSA02J-103X	MG R	10kΩ 1/10W J
R1338-40	NRSA02J-101X	MG R	100Ω 1/10W J
R1341	NRSA02J-183X	MG R	18kΩ 1/10W J
R1342	NRSA02J-823X	MG R	82kΩ 1/10W J
R1343-44	NRSA02J-101X	MG R	100Ω 1/10W J
R1345-46	NRSA02J-103X	MG R	10kΩ 1/10W J
R1347	NRSA02J-562X	MG R	5.6kΩ 1/10W J
R1348	NRSA02J-471X	MG R	470Ω 1/10W J
R1349	NRSA02J-152X	MG R	1.5kΩ 1/10W J
R1350	NRSA02J-271X	MG R	270Ω 1/10W J
R1381	NRSA02J-102X	MG R	1kΩ 1/10W J
R1382	NRSA02J-152X	MG R	1.5kΩ 1/10W J
R1383	NRSA02J-822X	MG R	8.2kΩ 1/10W J
R1384	NRSA02J-683X	MG R	68kΩ 1/10W J
R1385	NRSA02J-273X	MG R	27kΩ 1/10W J
R1386	NRSA02J-102X	MG R	1kΩ 1/10W J
R1387	NRSA02J-683X	MG R	68kΩ 1/10W J
R1388	NRSA02J-273X	MG R	27kΩ 1/10W J
R1389	NRSA02J-102X	MG R	1kΩ 1/10W J
R1390	NRSA02J-683X	MG R	68kΩ 1/10W J
R1391	NRSA02J-273X	MG R	27kΩ 1/10W J
R1392	NRSA02J-102X	MG R	1kΩ 1/10W J
R1395-97	NRSA02J-0R0X	MG R	0.0Ω 1/10W J
R1398	NRSA02J-101X	MG R	100Ω 1/10W J
R1401-02	NRSA02J-682X	MG R	6.8kΩ 1/10W J
R1403	NRSA02J-222X	MG R	2.2kΩ 1/10W J
R1404	QRX01GJ-1R0	MF R	1.0Ω 1W J
R1405	QRL029J-221	OM R	220Ω 2W J
R1406	NRSA02J-222X	MG R	2.2kΩ 1/10W J
R1407-08	QRX01GJ-1R5	MF R	1.5Ω 1W J
R1409-10	NRSA02J-103X	MG R	10kΩ 1/10W J
R1461	NRSA02J-272X	MG R	2.7kΩ 1/10W J
R1462	NRSA02J-563X	MG R	56kΩ 1/10W J
R1463	NRSA02J-104X	MG R	100kΩ 1/10W J
R1464	NRSA02J-123X	MG R	12kΩ 1/10W J
R1501	NRSA02J-332X	MG R	3.3kΩ 1/10W J
R1551	NRSA02J-100X	MG R	10Ω 1/10W J
R1552	NRSA02J-124X	MG R	120kΩ 1/10W J
R1553	NRSA02J-683X	MG R	68kΩ 1/10W J
R1554	NRSA02J-562X	MG R	5.6kΩ 1/10W J
R1555	NRSA02J-333X	MG R	33kΩ 1/10W J
R1556	NRSA02J-472X	MG R	4.7kΩ 1/10W J
R1557	NRSA02J-562X	MG R	5.6kΩ 1/10W J
R1558	NRSA02J-104X	MG R	100kΩ 1/10W J
R1559	NRSA02J-154X	MG R	150kΩ 1/10W J
R1560	NRSA02J-100X	MG R	10Ω 1/10W J
R1561	QRN143J-0R0X	C R	0.0Ω 1/4W J
R1601	NRSA02J-103X	MG R	10kΩ 1/10W J
R1602	NRSA02J-104X	MG R	100kΩ 1/10W J
R1610	NRSA02J-471X	MG R	470Ω 1/10W J
R1611	NRSA02J-331X	MG R	330Ω 1/10W J
R1612	NRSA02J-561X	MG R	560Ω 1/10W J
R1613-14	NRSA02J-123X	MG R	12kΩ 1/10W J
R1615	NRSA02J-681X	MG R	680Ω 1/10W J
R1616	NRSA02J-102X	MG R	1kΩ 1/10W J
R1617-18	NRSA02J-682X	MG R	6.8kΩ 1/10W J
R1619-20	NRSA02J-223X	MG R	22kΩ 1/10W J
R1658-60	QRN143J-2R2X	C R	2.2Ω 1/4W J
R1661	NRSA02J-561X	MG R	560Ω 1/10W J
R1662-64	NRSA02J-223X	MG R	22kΩ 1/10W J
R1665	NRSA02J-104X	MG R	100kΩ 1/10W J
R1666	NRSA02J-682X	MG R	6.8kΩ 1/10W J

△ Symbol No.	Part No.	Part Name	Description
RESISTOR			
R1667	NRSA02J-104X	MG R	100kΩ 1/10W J
R1668	NRSA02J-0R0X	MG R	0.0Ω 1/10W J
R1669	NRSA02J-473X	MG R	47kΩ 1/10W J
R1670	NRSA02J-0R0X	MG R	0.0Ω 1/10W J
R1671	NRSA02J-273X	MG R	27kΩ 1/10W J
R1672	NRSA02J-122X	MG R	1.2kΩ 1/10W J
R1673	NRSA02J-103X	MG R	10kΩ 1/10W J
R1674	NRSA02J-563X	MG R	56kΩ 1/10W J
R1675	NRSA02J-103X	MG R	10kΩ 1/10W J
R1676	NRSA02J-273X	MG R	27kΩ 1/10W J
R1677	NRSA02J-103X	MG R	10kΩ 1/10W J
R1678	NRSA02J-563X	MG R	56kΩ 1/10W J
R1679	NRSA02J-103X	MG R	10kΩ 1/10W J
R1680	NRSA02J-273X	MG R	27kΩ 1/10W J
R1682	NRSA02J-103X	MG R	10kΩ 1/10W J
R1683	NRSA02J-562X	MG R	5.6kΩ 1/10W J
R1684	NRSA02J-473X	MG R	47kΩ 1/10W J
R1689-90	NRSA02J-103X	MG R	10kΩ 1/10W J
R1691-92	NRSA02J-123X	MG R	12kΩ 1/10W J
R1693-94	NRSA02J-103X	MG R	10kΩ 1/10W J
R1700	NRSA02J-0R0X	MG R	0.0Ω 1/10W J
R1701	NRSA02J-104X	MG R	100kΩ 1/10W J
R1702	NRSA02J-823X	MG R	82kΩ 1/10W J
R1703-06	NRSA02J-102X	MG R	1kΩ 1/10W J
R1707	NRSA02J-103X	MG R	10kΩ 1/10W J
R1708	NRSA02J-102X	MG R	1kΩ 1/10W J
R1709	NRSA02J-103X	MG R	10kΩ 1/10W J
R1710	NRSA02J-821X	MG R	820Ω 1/10W J
R1711	NRSA02J-102X	MG R	1kΩ 1/10W J
R1713-14	NRSA02J-103X	MG R	10kΩ 1/10W J
R1716	NRSA02J-103X	MG R	10kΩ 1/10W J
R1718	NRSA02J-102X	MG R	1kΩ 1/10W J
R1719	NRSA02J-101X	MG R	100Ω 1/10W J
R1720	NRSA02J-102X	MG R	1kΩ 1/10W J
R1721-23	NRSA02J-472X	MG R	4.7kΩ 1/10W J
R1724-26	NRSA02J-821X	MG R	820Ω 1/10W J
R1727	NRSA02J-153X	MG R	15kΩ 1/10W J
R1728	NRSA02J-103X	MG R	10kΩ 1/10W J
R1729	NRSA02J-683X	MG R	68kΩ 1/10W J
R1730	NRSA02J-223X	MG R	22kΩ 1/10W J
R1731	NRSA02J-562X	MG R	5.6kΩ 1/10W J
R1732	NRSA02J-103X	MG R	10kΩ 1/10W J
R1733	NRSA02J-222X	MG R	2.2kΩ 1/10W J
R1734	NRSA02J-103X	MG R	10kΩ 1/10W J
R1735-36	NRSA02J-682X	MG R	6.8kΩ 1/10W J
R1738	NRSA02J-183X	MG R	18kΩ 1/10W J
R1739	NRSA02J-331X	MG R	330Ω 1/10W J
R1740-42	NRSA02J-103X	MG R	10kΩ 1/10W J
R1743	NRSA02J-222X	MG R	2.2kΩ 1/10W J
R1744-46	NRSA02J-103X	MG R	10kΩ 1/10W J
R1747	NRSA02J-102X	MG R	1kΩ 1/10W J
R1748	NRSA02J-103X	MG R	10kΩ 1/10W J
R1751-52	NRSA02J-103X	MG R	10kΩ 1/10W J
R1753	NRSA02J-472X	MG R	4.7kΩ 1/10W J
R1754	NRSA02J-103X	MG R	10kΩ 1/10W J
R1755	NRSA02J-472X	MG R	4.7kΩ 1/10W J
R1756-57	NRSA02J-103X	MG R	10kΩ 1/10W J
R1758-59	NRSA02J-221X	MG R	220Ω 1/10W J
R1760	NRSA02J-102X	MG R	1kΩ 1/10W J
R1761-65	NRSA02J-221X	MG R	220Ω 1/10W J
R1766	NRSA02J-103X	MG R	10kΩ 1/10W J
R1767	NRSA02J-104X	MG R	100kΩ 1/10W J
R1768	NRSA02J-823X	MG R	82kΩ 1/10W J
R1770	NRSA02J-103X	MG R	10kΩ 1/10W J
R1771	NRSA02J-392X	MG R	3.9kΩ 1/10W J
R1772-74	NRSA02J-103X	MG R	10kΩ 1/10W J
R1775-76	NRSA02J-563X	MG R	56kΩ 1/10W J
R1777	NRSA02J-223X	MG R	22kΩ 1/10W J
R1778	NRSA02J-103X	MG R	10kΩ 1/10W J
R1779	NRSA02J-333X	MG R	33kΩ 1/10W J
R1780	NRSA02J-104X	MG R	100kΩ 1/10W J
R1782	NRSA02J-0R0X	MG R	0.0Ω 1/10W J

Symbol No.	Part No.	Part Name	Description
RESISTOR			
R1784-86	NRSA02J-333X	MG R	33kΩ 1/10W J
R1787	NRSA02J-103X	MG R	10kΩ 1/10W J
R1788	NRSA02J-123X	MG R	12kΩ 1/10W J
R1789	NRSA02J-0R0X	MG R	0.0Ω 1/10W J
R1791	NRSA02J-103X	MG R	10kΩ 1/10W J
R1792	NRSA02J-0R0X	MG R	0.0Ω 1/10W J
R1793	NRSA02J-102X	MG R	1kΩ 1/10W J
R1794	NRSA02J-152X	MG R	1.5kΩ 1/10W J
R1795	NRSA02J-102X	MG R	1kΩ 1/10W J
R1796	NRSA02J-103X	MG R	10kΩ 1/10W J
R1797	NRSA02J-102X	MG R	1kΩ 1/10W J
R1820	NRSA02J-332X	MG R	3.3kΩ 1/10W J
R1880-82	NRSA02J-102X	MG R	1kΩ 1/10W J
R1883	NRSA02J-473X	MG R	47kΩ 1/10W J
R1884-86	NRSA02J-103X	MG R	10kΩ 1/10W J
R1888-89	NRSA02J-103X	MG R	10kΩ 1/10W J
R1890	NRSA02J-221X	MG R	220Ω 1/10W J
R1891	NRSA02J-273X	MG R	27kΩ 1/10W J
R1892-96	NRSA02J-221X	MG R	220Ω 1/10W J
R1897	QRG029J-220	OM R	22 Ω 2W J
R1901	NRSA02J-101X	MG R	100Ω 1/10W J
R1902	NRSA02J-223X	MG R	22kΩ 1/10W J
R1903	NRSA02J-472X	MG R	4.7kΩ 1/10W J
R1904	NRSA02J-223X	MG R	22kΩ 1/10W J
R1905	NRSA02J-102X	MG R	1kΩ 1/10W J

Symbol No.	Part No.	Part Name	Description
CAPACITOR			
C1001	NCB21HK-104X	CHIP CAP.	0.1μF 50V K
C1002	QETN1HM-107Z	E CAP.	100μF 50V M
C1003	NCB21HK-104X	CHIP CAP.	0.1μF 50V K
C1004	QETN1CM-107Z	E CAP.	100μF 16V M
C1005	NCB21HK-104X	CHIP CAP.	0.1μF 50V K
C1006	QETN1CM-227Z	E CAP.	220μF 16V M
C1007	NCB21HK-222X	C CAP.	2200pF 50V K
C1008	QETN1HM-106Z	E CAP.	10μF 50V M
C1101-02	QETN1CM-107Z	E CAP.	100μF 16V M
C1104	QETN1EM-476Z	E CAP.	47μF 25V M
C1105	QENC1HM-474Z	BP E CAP.	0.47μF 50V M
C1106	QETN1HM-106Z	E CAP.	10μF 50V M
C1107	QETN1AM-227Z	E CAP.	220μF 10V M
C1121-22	NCB21HK-103X	C CAP.	0.01μF 50V K
C1123	QETN1EM-476Z	E CAP.	47μF 25V M
C1124-25	NCB21HK-103X	C CAP.	0.01μF 50V K
C1128	QETN1CM-107Z	E CAP.	100μF 16V M
C1129	QETN1EM-476Z	E CAP.	47μF 25V M
C1130	NCB21HK-103X	C CAP.	0.01μF 50V K
C1131	QETN1EM-476Z	E CAP.	47μF 25V M
C1132	NCB21HK-103X	C CAP.	0.01μF 50V K
C1134	NCB21HK-103X	C CAP.	0.01μF 50V K
C1135	NDC21HJ-181X	C CAP.	180pF 50V J
C1136-39	NCB21HK-103X	C CAP.	0.01μF 50V K
C1140	QETN1EM-476Z	E CAP.	47μF 25V M
C1141	NCB21HK-103X	C CAP.	0.01μF 50V K
C1151	QETN1AM-227Z	E CAP.	220μF 10V M
C1152	NCB21HK-103X	C CAP.	0.01μF 50V K
C1153	QETN1AM-107Z	E CAP.	100μF 10V M
C1154	NDC21HJ-121X	C CAP.	120pF 50V J
C1155	QETN1EM-476Z	E CAP.	47μF 25V M
C1161	QETN1EM-476Z	E CAP.	47μF 25V M
C1163	QETN1EM-476Z	E CAP.	47μF 25V M
C1171	NDC21HJ-221X	C CAP.	220pF 50V J
C1172	NDC21HJ-560X	C CAP.	56pF 50V J
C1173	NDC21HJ-221X	C CAP.	220pF 50V J
C1174	NDC21HJ-121X	C CAP.	120pF 50V J
C1192	QETN1CM-227Z	E CAP.	220μF 16V M
C1193	NCB21HK-103X	C CAP.	0.01μF 50V K
C1201	QETN1CM-227Z	E CAP.	220μF 16V M
C1202	NCB21HK-102X	C CAP.	1000pF 50V K
C1203-04	QETN1HM-105Z	E CAP.	1μF 50V M
C1205-06	QETN1HM-106Z	E CAP.	10μF 50V M

Symbol No.	Part No.	Part Name	Description
CAPACITOR			
C1207	QETN1CM-227Z	E CAP.	220μF 16V M
C1211	NCB21HK-102X	C CAP.	1000pF 50V K
C1212-13	QETN1HM-105Z	E CAP.	1μF 50V M
C1214-15	QETN1HM-106Z	E CAP.	10μF 50V M
C1216-17	QETN1HM-105Z	E CAP.	1μF 50V M
C1218-19	QETN1EM-476Z	E CAP.	47μF 25V M
C1220	QETN1HM-105Z	E CAP.	1μF 50V M
C1221-22	QETN1CM-107Z	E CAP.	100μF 16V M
C1223-24	QETN1HM-105Z	E CAP.	1μF 50V M
C1231-33	QETN1EM-476Z	E CAP.	47μF 25V M
C1234	NCB21HK-102X	C CAP.	1000pF 50V K
C1301	QETN1CM-227Z	E CAP.	220μF 16V M
C1302	NCB21HK-104X	CHIP CAP.	0.1μF 50V K
C1303	QETN1EM-476Z	E CAP.	47μF 25V M
C1304	QENC1CM-476Z	BP E CAP.	47μF 16V M
C1305	QETN1HM-226Z	E CAP.	22μF 50V M
C1306	NCB21HK-223X	C CAP.	0.022μF 50V K
C1307-08	QENC1HM-105Z	BP E CAP.	1μF 50V M
C1309	NDC21HJ-390X	C CAP.	39pF 50V J
C1311-13	NCB21HK-104X	CHIP CAP.	0.1μF 50V K
C1314	NCB21HK-222X	C CAP.	2200pF 50V K
C1315	NCB21CK-474X	C CAP.	0.47μF 16V K
C1316	NCB21HK-104X	CHIP CAP.	0.1μF 50V K
C1317	NCB21EK-154X	C CAP.	0.15μF 25V K
C1318	NCB21HK-104X	CHIP CAP.	0.1μF 50V K
C1319	NCB21HK-332X	C CAP.	3300pF 50V K
C1320	NCB21HK-104X	CHIP CAP.	0.1μF 50V K
C1321-22	NDC21HJ-150X	C CAP.	15pF 50V J
C1323	NCB21HK-104X	CHIP CAP.	0.1μF 50V K
C1325-26	NCB21HK-104X	CHIP CAP.	0.1μF 50V K
C1327	QETN1CM-227Z	E CAP.	220μF 16V M
C1328-32	NCB21HK-104X	CHIP CAP.	0.1μF 50V K
C1342-44	NDC21HJ-220X	C CAP.	22pF 50V J
C1345	NDC21HJ-121X	C CAP.	120pF 50V J
C1362	NDC21HJ-330X	C CAP.	33pF 50V J
C1363-65	QETN1HM-106Z	E CAP.	10μF 50V M
C1381-84	QETN1EM-476Z	E CAP.	47μF 25V M
C1387-88	QETN1EM-476Z	E CAP.	47μF 25V M
C1389-90	QETN0JM-228Z	E CAP.	2200μF 6.3V M
C1392	NDC21HJ-680X	C CAP.	68pF 50V J
C1396-98	NCB21HK-104X	CHIP CAP.	0.1μF 50V K
C1403	QFLC2AJ-104Z	M CAP.	0.1μF 100V J
C1404	NCB21HK-104X	CHIP CAP.	0.1μF 50V K
C1405	NDC21HJ-820X	C CAP.	82pF 50V J
C1406	QETN1VM-108	E CAP.	1000μF 35V M
C1408	QETN1VM-337Z	E CAP.	330μF 35V M
C1409-10	QFV71HJ-474Z	MF CAP.	0.47μF 50V J
C1412	QFLC2AJ-104Z	M CAP.	0.1μF 100V J
C1417-18	QETN1CM-108Z	E CAP.	1000μF 16V M
C1419	NCB21HK-682X	C CAP.	6800pF 50V K
C1461	QETN1HM-226Z	E CAP.	22μF 50V M
C1551-52	NCB21CK-224X	C CAP.	0.22μF 16V K
C1553	QETN1EM-476Z	E CAP.	47μF 25V M
C1554-55	NCB21CK-224X	C CAP.	0.22μF 16V K
C1601-02	QDC31HJ-2R0Z	C CAP.	2.0pF 50V J
C1603-04	NCB21HK-103X	C CAP.	0.01μF 50V K
C1605-06	QETN1HM-106Z	E CAP.	10μF 50V M
C1607-08	NCF21EZ-104X	C CAP.	0.1μF 25V Z
C1609-12	QETN1HM-105Z	E CAP.	1μF 50V M
C1613-14	NDC21HJ-471X	C CAP.	470pF 50V J
C1615	NCF21EZ-104X	C CAP.	0.1μF 25V Z
C1616-18	QETN1HM-106Z	E CAP.	10μF 50V M
C1619	NCF21EZ-104X	C CAP.	0.1μF 25V Z
C1620	QETN1HM-106Z	E CAP.	10μF 50V M
C1621-24	NCB21HK-102X	C CAP.	1000pF 50V K
C1625-26	NDC21HJ-391X	C CAP.	390pF 50V J
C1627-28	NCB21HK-102X	C CAP.	1000pF 50V K
C1629	NCB21HK-103X	C CAP.	0.01μF 50V K
C1630	NCF21EZ-104X	C CAP.	0.1μF 25V Z
C1631	QETN1CM-107Z	E CAP.	100μF 16V M
C1632	NCF21EZ-104X	C CAP.	0.1μF 25V Z
C1643	QETN1HM-105Z	E CAP.	1μF 50V M

△ Symbol No.	Part No.	Part Name	Description
CAPACITOR			
C1644-45	NDC21HJ-470X	C CAP.	47pF 50V J
C1646	NDC21HJ-820X	C CAP.	82pF 50V J
C1647	NCB21HK-472X	C CAP.	4700pF 50V K
C1648	NDC21HJ-180X	C CAP.	18pF 50V J
C1651-53	QETN1HM-105Z	E CAP.	1μF 50V M
C1654	QETN1HM-107Z	E CAP.	100μF 50V M
C1655	QETN1HM-106Z	E CAP.	10μF 50V M
C1656-57	NCF21HZ-224X	C CAP.	0.22μF 50V Z
C1658	QETN1HM-228	E CAP.	2200μF 50V M
C1659-62	NCF21HZ-224X	C CAP.	0.22μF 50V Z
C1663-65	QETN1VM-108	E CAP.	1000pF 35V M
C1667	QETN1CM-227Z	E CAP.	220pF 16V M
C1668-69	QETN1HM-105Z	E CAP.	1μF 50V M
C1670	QETN1HM-106Z	E CAP.	10μF 50V M
C1671	QETN1EM-476Z	E CAP.	47μF 25V M
C1672	NDC21HJ-100X	C CAP.	10pF 50V J
C1673	QETN1HM-105Z	E CAP.	1μF 50V M
C1674	NDC21HJ-100X	C CAP.	10pF 50V J
C1675	QETN1HM-105Z	E CAP.	1μF 50V M
C1679	QETN1HM-106Z	E CAP.	10μF 50V M
C1680-81	NDC21HJ-221X	C CAP.	220pF 50V J
C1682	QETN1CM-227Z	E CAP.	220pF 16V M
C1701	NDC21HJ-471X	C CAP.	470pF 50V J
C1702	NCB21HK-682X	C CAP.	6800pF 50V K
C1703	NCB21HK-104X	CHIP CAP.	0.1μF 50V K
C1704	QETN1AM-107Z	E CAP.	100μF 10V M
C1705-06	NDC21HJ-9R0X	C CAP.	9.0pF 50V J
C1707	NCB21HK-104X	CHIP CAP.	0.1μF 50V K
C1708	NCB21HK-333X	C CAP.	0.033μF 50V K
C1709	NCB21HK-104X	CHIP CAP.	0.1μF 50V K
C1710	QETN1EM-476Z	E CAP.	47μF 25V M
C1711	NCB21HK-104X	CHIP CAP.	0.1μF 50V K
C1712	NCB21HK-333X	C CAP.	0.033μF 50V K
C1713	NCB21HK-104X	CHIP CAP.	0.1μF 50V K
C1714	QETN1HM-474Z	E CAP.	0.47μF 50V M
C1715	QETN1EM-476Z	E CAP.	47μF 25V M
C1717	QETN1HM-106Z	E CAP.	10μF 50V M
C1718	NDC21HJ-471X	C CAP.	470pF 50V J
C1719	NCF21CZ-105X	C CAP.	1μF 16V Z
C1720	NCB21HK-102X	C CAP.	1000pF 50V K
C1757	NCS21HJ-471X	C CAP.	470pF 50V J
C1758	QETN1AM-227Z	E CAP.	220μF 10V M
C1759	NCB21HK-104X	CHIP CAP.	0.1μF 50V K
C1760-61	NDC21HJ-150X	C CAP.	15pF 50V J
C1762	NCB21HK-104X	CHIP CAP.	0.1μF 50V K
C1763	QETN1EM-476Z	E CAP.	47μF 25V M
C1764	NCB21HK-104X	CHIP CAP.	0.1μF 50V K
C1766-68	NCB21HK-104X	CHIP CAP.	0.1μF 50V K
C1769-71	QETN1HM-106Z	E CAP.	10μF 50V M
C1772	QETN1EM-476Z	E CAP.	47μF 25V M
C1773	QETN1CM-107Z	E CAP.	100μF 16V M
C1774	NDC21HJ-151X	C CAP.	150pF 50V J
C1780	NCB21HK-104X	CHIP CAP.	0.1μF 50V K
C1781	NDC21HJ-101X	C CAP.	100pF 50V J
C1782	NCB21HK-102X	C CAP.	1000pF 50V K
C1783	NDC21HJ-151X	C CAP.	150pF 50V J
C1784	QETN1CM-227Z	E CAP.	220μF 16V M
C1785	NCB21HK-102X	C CAP.	1000pF 50V K
C1901	QETN1CM-107Z	E CAP.	100μF 16V M
C1902	QETN1HM-106Z	E CAP.	10μF 50V M
TRANSFORMER			
T1101	CE42697-001	LOWPASS FILTER	
T1111	CE42697-001	LOWPASS FILTER	
T1121	CE42697-001	LOWPASS FILTER	
COIL			
L1001-02	QQL01BK-8R2Z	PEAKING COIL	8.2μH
L1003	QQL01BK-221Z	PEAKING COIL	220μH
L1004	QQL01BK-5R6Z	PEAKING COIL	5.6μH

△ Symbol No.	Part No.	Part Name	Description
COIL			
L1101	QRN143J-OR0X	C R	0.0Ω 1/4W J
L1102-05	QQL03BJ-220Z	PEAKING COIL	22μH
L1111	QQL03BJ-220Z	PEAKING COIL	22μH
L1121	QQL03BJ-330Z	PEAKING COIL	33μH
L1301	QQL01BK-390Z	PEAKING COIL	39μH
L1302	NQL024J-5R6X	COIL	5.6μH
L1601-02	QRN143J-OR0X	C R	0.0Ω 1/4W J
L1604	QQL01BJ-180Z	PEAKING COIL	18μH
L1605	QQL01BJ-220Z	PEAKING COIL	22μH
L1701	QQL01BK-4R7Z	PEAKING COIL	4.7μH
L1702	QQL01BK-3R9Z	PEAKING COIL	3.9μH
L1752	QRN143J-OR0X	C R	0.0Ω 1/4W J
L1753	QQL01BK-4R7Z	PEAKING COIL	4.7μH
DIODE			
D1201-11	MA3130/H/-X	ZENER DIODE	
D1214-15	MA3130/H/-X	ZENER DIODE	
D1402	BYD33D-T3	SI DIODE	
D1403-04	MA3330/L/-X	ZENER DIODE	
D1461	MA111-X	SI DIODE	
D1462	MA3220/M/-X	ZENER DIODE	
D1502	MA111-X	SI DIODE	
D1504	MA111-X	SI DIODE	
D1653-55	MA3330/L/-X	ZENER DIODE	
D1658	MA153A-X	SI DIODE	
D1660	MA111-X	SI DIODE	
D1661	MA153A-X	SI DIODE	
D1664-65	MA111-X	SI DIODE	
D1666	MA3062/M/-X	ZENER DIODE	
D1667-68	MA3150/M/-X	ZENER DIODE	
D1701-02	MA111-X	SI DIODE	
D1704	1S5244-T2	SI DIODE	
D1708	MA111-X	SI DIODE	
D1709	MA3068/M/-X	ZENER DIODE	
D1712	MA111-X	SI DIODE	
D1751-53	MA111-X	SI DIODE	
D1754	MA3062/M/-X	ZENER DIODE	
D1771-74	MA3056/M/-X	ZENER DIODE	
D1901	MA3130/H/-X	ZENER DIODE	
TRANSISTOR			
Q1101-04	2SC2412K/QR/-X	SI TRANSISTOR	
Q1111	2SC2412K/QR/-X	SI TRANSISTOR	
Q1112	2SA1037AK/QR/-X	SI TRANSISTOR	
Q1113-14	2SC2412K/QR/-X	SI TRANSISTOR	
Q1121	2SC2412K/QR/-X	SI TRANSISTOR	
Q1122	2SA1037AK/QR/-X	SI TRANSISTOR	
Q1123-24	2SC2412K/QR/-X	SI TRANSISTOR	
Q1131-32	2SC2412K/QR/-X	SI TRANSISTOR	
Q1201-02	2SC2712/YG/-X	SI TRANSISTOR	
Q1203	2SC1815/YG/-T	SI TRANSISTOR	
Q1204-05	2SC2712/YG/-X	SI TRANSISTOR	
Q1206-07	DTC323TK-X	DIGI. TRANSISTOR	
Q1208	2SA1162/YG/-X	SI TRANSISTOR	
Q1209	2SA1015/YG/-T	SI TRANSISTOR	
Q1211	2SA1162/YG/-X	SI TRANSISTOR	
Q1213-14	2SC2712/YG/-X	SI TRANSISTOR	
Q1215-16	DTC323TK-X	DIGI. TRANSISTOR	
Q1217	2SA1162/YG/-X	SI TRANSISTOR	
Q1220-21	2SC2712/YG/-X	SI TRANSISTOR	
Q1301	2SA1162/YG/-X	SI TRANSISTOR	
Q1303-04	2SA1162/YG/-X	SI TRANSISTOR	
Q1305	2SC2712/YG/-X	SI TRANSISTOR	
Q1345	DTC124EKA-X	DIGI. TRANSISTOR	
Q1346	2SC2712/YG/-X	SI TRANSISTOR	
Q1351	DTC124EKA-X	DIGI. TRANSISTOR	
Q1381-83	2SC2712/YG/-X	SI TRANSISTOR	
Q1461-62	2SC2712/YG/-X	SI TRANSISTOR	
Q1601	DTC323TK-X	DIGI. TRANSISTOR	
Q1602	2SA1162/YG/-X	SI TRANSISTOR	
Q1603	2SC2712/YG/-X	SI TRANSISTOR	
Q1654-56	DTC323TK-X	DIGI. TRANSISTOR	
Q1657	2SC2712/YG/-X	SI TRANSISTOR	

△ Symbol No.	Part No.	Part Name	Description
--------------	----------	-----------	-------------

TRANSISTOR

Q1658-60	2SA1162/YG/-X	SI. TRANSISTOR	
Q1701-08	2SC2712/YG/-X	SI. TRANSISTOR	
Q1709	2SA1162/YG/-X	SI. TRANSISTOR	
Q1752	2SA1162/YG/-X	SI. TRANSISTOR	
Q1753	DTC124EKA-X	DIGI. TRANSISTOR	
Q1901	2SA1162/YG/-X	SI. TRANSISTOR	
Q1902	2SC2712/YG/-X	SI. TRANSISTOR	

IC

IC1101	TC9090AN	I.C. (DIGI-MOS)	
IC1301	CXA1545AS	I.C. (MONO-ANA)	
IC1302	LA7222	I.C. (MONO-ANA)	
IC1303	TDA9143/N3	I.C. (MONO-ANA)	
IC1304	TDA4665/V5	I.C. (MONO-ANA)	
IC1305	LA7016	I.C. (MONO-ANA)	
IC1401	LA7841	I.C. (MONO-ANA)	
IC1551	LA6515	I.C. (MONO-ANA)	
IC1601	MSP3410D-PP-C5	I.C. (DIGI-OTHER)	
IC1651	TA8256BH	I.C. (HYBRID)	
IC1652	BA4558F-X	I.C. (MONO-ANA)	
IC1701	M37280MK-120SP	I.C.(MICRO-COMP)	
IC1702	L78LR05E-MA	I.C. (MONO-ANA)	
IC1703	AT24C1632WFP1	I.C.	(SERVICE)
IC1754	SDA5275S	I.C. (MICRO-PROC)	
IC1755	MSM514400D-60ZS	I.C. (D-RAM)	
IC1756	TC4053BP/N/	I.C. (DIGI-MOS)	

OTHERS

CN1002	QGF1220C2-25	FFC/FPC CONNECTO	
K1001	QRN143J-OROX	C R	0.0Ω 1/4W J
K1009	QRN143J-OROX	C R	0.0Ω 1/4W J
K1101	QQR0621-002Z	BEADS CORE	
K1401	QQR0621-002Z	BEADS CORE	
K1701	QQR0621-002Z	BEADS CORE	
LC1101	TA78L005AP-T	I.C. (H)	
LC1601	CE42142-103Z	EMI FILTER	
TU1001	CEEK481-A04	TUNER	
W1001-02	NRSA02J-OROX	MG R	0.0Ω 1/10W J
X1311	CE40749-001Z	CRYSTAL	
X1312	CE40668-001Z	CRYSTAL	
X1601	CE42546-001Z	CRYSTAL	
X1701	CST8.00MTW	CER. RESONATOR	
X1752	QAX0351-001Z	CRYSTAL	
Y1306	NRSA02J-OROX	MG R	0.0Ω 1/10W J
Y1312-13	NRSA02J-OROX	MG R	0.0Ω 1/10W J
Y1314	NRSA02J-682X	MG R	6.8kΩ 1/10W J
Y1315-17	NRSA02J-OROX	MG R	0.0Ω 1/10W J
Y1328	NRSA02J-OROX	MG R	0.0Ω 1/10W J
Y1401	NRSA02J-OROX	MG R	0.0Ω 1/10W J
Y1502-05	NRSA02J-OROX	MG R	0.0Ω 1/10W J
Y1651-52	NRSA02J-OROX	MG R	0.0Ω 1/10W J
Y1654	NRSA02J-OROX	MG R	0.0Ω 1/10W J
Y1659-60	NRSA02J-OROX	MG R	0.0Ω 1/10W J
Y1750-51	NRSA02J-OROX	MG R	0.0Ω 1/10W J

POWER / DEF PW BOARD ASS'Y (SMD-2008A-U2)

△ Symbol No.	Part No.	Part Name	Description
--------------	----------	-----------	-------------

RESISTOR

R2451	QRE141J-272Y	C R	2.7kΩ 1/4W J
R2455	QRE141J-102Y	C R	1kΩ 1/4W J
R2456	QRE141J-473Y	C R	47kΩ 1/4W J
R2457	QRE141J-103Y	C R	10kΩ 1/4W J
R2458	QRA14CF-1002Y	MF R	10kΩ 1/4W F
R2459	QRE141J-391Y	C R	390Ω 1/4W J
R2461	QRE141J-102Y	C R	1kΩ 1/4W J
R2463	QRG029J-820	OM R	82 Ω 2W J
R2464	QRX01GJ-2R2	MF R	2.2Ω 1W J
R2465	QRE141J-103Y	C R	10kΩ 1/4W J
R2468	QRE141J-473Y	C R	47kΩ 1/4W J
R2470	QRE141J-103Y	C R	10kΩ 1/4W J
R2501	QRE141J-471Y	C R	470Ω 1/4W J
R2502	QRE141J-123Y	C R	12kΩ 1/4W J
R2503	QRE121J-152Y	C R	1.5kΩ 1/2W J
R2504	QRG039J-272	OM R	2.7kΩ 3W J
R2505	QRG039J-332	OM R	3.3kΩ 3W J
R2506	QRE121J-5R6Y	C R	5.6Ω 1/2W J
R2507	QRC121K-152Z	COMP. R	1.5kΩ 1/2W K
R2509	QRE141J-563Y	C R	56kΩ 1/4W J
R2510	QRE141J-333Y	C R	33kΩ 1/4W J
R2511	QRE141J-102Y	C R	1kΩ 1/4W J
R2522	QRE121J-471Y	C R	470Ω 1/2W J
△ R2551	QRZ9017-4R7	F R	4.7Ω 1/4W J
△ R2552	QRZ9021-1R0	FUSI. RESISTOR	1 Ω 1W J
△ R2553	QRZ9021-1R0	FUSI. RESISTOR	1 Ω 1W J
R2554-55	QRE141J-392Y	C R	3.9kΩ 1/4W J
R2557	QRE121J-272Y	C R	2.7kΩ 1/2W J
R2561	QRZ0056-103Z	COMP. R	10kΩ 1/2W K
R2574	QRG029J-220	OM R	22 Ω 2W J
R2575	QRE121J-123Y	C R	12kΩ 1/2W J
R2581	QRF154K-4R7	UNF R	4.7Ω 15W K
R2582	QRE141J-681Y	C R	680Ω 1/4W J
R2583	QRE121J-682Y	C R	6.8kΩ 1/2W J
R2584	QRE141J-183Y	C R	18kΩ 1/4W J
R2585	QRE141J-222Y	C R	2.2kΩ 1/4W J
R2586	QRA14CF-7501Y	MF R	7.5kΩ 1/4W F
R2587	QRA14CF-2201Y	MF R	2.2kΩ 1/4W F
R2588	QRE141J-103Y	C R	10kΩ 1/4W J
R2901	QRF104K-3R9	UNF R	3.9Ω 10W K
R2902	QRE121J-331Y	C R	330Ω 1/2W J
R2903-04	QRE121J-474Y	C R	470kΩ 1/2W J
R2905	QRL039J-823	OM R	82kΩ 3W J
R2906	QRG039J-683	OM R	68kΩ 3W J
△ R2907	QRZ9017-4R7	F R	4.7Ω 1/4W J
R2908	QRE121J-152Y	C R	1.5kΩ 1/2W J
R2909	QRT029J-R39	MF R	0.39Ω 2W J
R2910	QRM059J-R15	MP R	0.15Ω 5W J
R2911	QRE121J-681Y	C R	680Ω 1/2W J
R2912	QRE121J-332Y	C R	3.3kΩ 1/2W J
R2913	QRL039J-823	OM R	82kΩ 3W J
R2923	QRE121J-102Y	C R	1kΩ 1/2W J
R2951	QRF074J-102	UNF R	1kΩ 7W J
R2952	QRG029J-103	OM R	10kΩ 2W J
R2953	QRG029J-183	OM R	18kΩ 2W J
R2954	QRE141J-330Y	C R	33Ω 1/4W J
R2955	QRE141J-681Y	C R	680Ω 1/4W J
R2956	QRX029J-R47	MF R	0.47 Ω 2W J
R2957	QRG029J-100	OM R	10 Ω 2W J
R2960	QRE141J-153Y	C R	15kΩ 1/4W J
R2961	QRE141J-182Y	C R	1.8kΩ 1/4W J
R2962	QRE141J-153Y	C R	15kΩ 1/4W J
R2963	QRE141J-682Y	C R	6.8kΩ 1/4W J
R2968	QRE141J-103Y	C R	10kΩ 1/4W J
R2969	QRE141J-682Y	C R	6.8kΩ 1/4W J
R2970	QRE141J-822Y	C R	8.2kΩ 1/4W J
R2971	QRE141J-682Y	C R	6.8kΩ 1/4W J
R2983	QRE141J-122Y	C R	1.2kΩ 1/4W J
R2984	QRE141J-104Y	C R	100kΩ 1/4W J
R2985-86	QRE141J-103Y	C R	10kΩ 1/4W J
R2987	QRE121J-680Y	C R	68Ω 1/2W J
△ R2991	QRZ0057-825	C R	8.2MΩ 1W J

△ Symbol No.	Part No.	Part Name	Description
CAPACITOR			
C2451	QCS31HJ-4702	C CAP.	47pF 50V J
C2452	QFV71HJ-1042	MF CAP.	0.1μF 50V J
C2453	QETN1EM-4762	E CAP.	47μF 25V M
C2454	QETN1HM-1062	E CAP.	10μF 50V M
C2455	QFLC1HJ-1022	M CAP.	1000pF 50V J
C2456	QFM72DJ-1222	M CAP.	1200pF 200V J
C2457	QFM72DJ-1522	M CAP.	1500pF 200V J
C2458	QEZ0472-1062	E CAP.	10μF 250V M
C2459	QCZ0120-1042	C CAP.	0.1μF 25V Z
C2460	QFP31HJ-2722	PP CAP.	2700pF 50V J
C2461	QFLC1HJ-1822	M CAP.	1800pF 50V J
C2501	QCB32HK-3312	C CAP.	330pF 500V K
C2502	QFM72DK-103	M CAP.	0.01μF 200V K
C2503	QFV71HJ-2242	MF CAP.	0.22μF 50V J
△ C2521	QFZ0122-112	MPP CAP.	1100pF 1.8kVH ±3%
△ C2522	QFZ0200-113	MPP CAP.	0.011μF 1.5kVH ±3%
C2523	QFM72DK-393	M CAP.	0.039μF 200V K
△ C2524	QFP32JJ-223	PP CAP.	0.022μF J
C2525	QFZ0194-914	MPP CAP.	0.91μF 250V J
C2526	QFZ0199-114	MPP CAP.	0.11μF 250V J
C2527	QFZ0194-154	MPP CAP.	0.15μF 250V J
C2528	QFZ0199-114	MPP CAP.	0.11μF 250V J
C2529	QCB32HK-5612	C CAP.	560pF 500V K
C2530	QFZ0194-154	MPP CAP.	0.15μF 250V J
C2532	QETM2CM-227	E CAP.	220μF 160V M
C2551	QCB32HK-1522	C CAP.	1500pF 500V K
C2552	QETN1CM-1082	E CAP.	1000μF 16V M
C2553	QCB32HK-1522	C CAP.	1500pF 500V K
C2554	QETN1CM-1082	E CAP.	1000μF 16V M
C2555	QENC1HM-2252	BP E CAP.	2.2μF 50V M
C2556	QCB32HK-1022	C CAP.	1000pF 500V K
C2557	QETN2EM-1062	E CAP.	10μF 250V M
C2565	QFLC2AJ-2232	M CAP.	0.022μF 100V J
C2581	QETN1CM-1072	E CAP.	100μF 16V M
C2582	QETN1EM-4762	E CAP.	47μF 25V M
C2583	QETN2AM-1062	E CAP.	10μF 100V M
C2584	QETN1AM-2272	E CAP.	220μF 10V M
C2585	QFZ0194-534	MPP CAP.	0.53μF 250V J
△ C2901	QFZ9040-473	MF CAP.	0.047μF AC275V M
△ C2902	QCZ9054-472	C CAP.	4700pF AC250V Z
△ C2903	QCZ9054-472	C CAP.	4700pF AC250V Z
△ C2904	QCZ9054-472	C CAP.	4700pF AC250V Z
C2905	QEZ0199-227	E CAP.	220μF 400V M
C2906	QCB32HK-103	C CAP.	0.01μF 500V K
C2907	QCZ0122-391	C CAP.	390pF 2kV K
C2908	QETN1HM-4762	E CAP.	47μF 50V M
C2909	QCB31HK-1022	C CAP.	1000pF 50V K
C2910	QCZ0122-561	C CAP.	560pF 2kV K
C2912	QCB31HK-5612	C CAP.	560pF 50V K
C2921	QETN1EM-2272	E CAP.	220μF 25V M
C2922-23	QETN1HM-1062	E CAP.	10μF 50V M
C2951	QEZ0203-227	E CAP.	220μF 160V M
C2952	QEHQ1CM-228	E CAP.	2200μF 16V M
C2953-54	QEHQ1CM-228	E CAP.	2200μF 16V M
C2955	QEHR1CM-4772	E CAP.	470μF 16V M
C2956	QEHQ1VM-228	E CAP.	2200μF 35V M
C2957-58	QETM1EM-338	E CAP.	3300μF 25V M
C2959-60	QCB32HK-1022	C CAP.	1000pF 500V K
C2966	QFLC1HJ-1032	M CAP.	0.01μF 50V J
C2967	QEHQ1CM-228	E CAP.	2200μF 16V M
C2968	QCZ0120-1042	C CAP.	0.1μF 25V Z
C2970	QEHR1CM-2272	E CAP.	220μF 16V M
C2972-73	QEHR1AM-4772	E CAP.	470μF 10V M
C2974-75	QEZ0256-128	E CAP.	1200μF 10V M
C2976	QETN1AM-2272	E CAP.	220μF 10V M
C2977	QFV71HJ-6842	MF CAP.	0.68μF 50V J
C2978	QCZ0122-471	C CAP.	470pF 2kV K
△ C2991	QCZ9079-332	C CAP.	3300pF AC250V K
△ C2992	QCZ9079-471	C CAP.	470pF AC250V K

△ Symbol No.	Part No.	Part Name	Description
TRANSFORMER			
T2501	QQR1111-001	DRIVE TRANSF.	
T2521	QQR0706-001	PINC. TRANSF.	
△ T2551	QHQ0054-002-12	HVT	(SERVICE)
T2561	QQR1096-001	DEF. TRANSF.	
△ T2901	CETS129-001J4	SW TRANSF.	
△ T2921	QQT0147-001	POWER TRANSF.	

△ Symbol No.	Part No.	Part Name	Description
COIL			
L2451	QQL43AJ-332	CHOKE COIL	
L2452	QQLZ020-801	CHOKE COIL	
L2521	QQLZ025-180	CHOKE COIL	
L2522	QQR0961-001	LINEARITY COIL	
L2551	QQLZ026-540	HEATER CHOKE	
L2561	QQL43AJ-222	CHOKE COIL	2200μH
L2901-02	QQL401K-100Z	CHOKE COIL	
△ L2903	QQR1036-001	CHOKE COIL	
L2951	QQLZ026-460	HEATER CHOKE	
L2952-54	QQL26AK-220Z	CHOKE COIL	
L2955	QQR0518-001	CHOKE COIL	
L2956	QQLZ026-460	HEATER CHOKE	
L2957	QQL26AK-220Z	CHOKE COIL	

△ Symbol No.	Part No.	Part Name	Description
DIODE			
D2451	1SS133-T2	SI. DIODE	
D2454	BYD33D-T3	SI. DIODE	
D2501	1SS81-T5	SI. DIODE	
D2502	1SS133-T2	SI. DIODE	
D2503	MTZJ15B-T2	ZENER DIODE	
D2521	V11CA-C1	SI. DIODE	
D2522	FMV-3FU-F1	SI. DIODE	
D2551-52	BYW95B-20	SI. DIODE	
D2553	BYD33G-T3	SI. DIODE	
D2554	MTZJ4.7A-T2	ZENER DIODE	
D2555-56	BYD33G-T3	SI. DIODE	
D2581	MTZJ15B-T2	ZENER DIODE	
D2582	MTZJ7.5B-T2	ZENER DIODE	
D2583	MTZJ7.5S-T2	ZENER DIODE	
D2584	BYD33G-T3	SI. DIODE	
△ D2901	D3SB60	BRIDGE DIODE	
D2902	BYD33M-T3	SI. DIODE	
△ D2903	BYD33D-T3	SI. DIODE	
D2904	BYD33D-T3	SI. DIODE	
D2905	1SS133-T2	SI. DIODE	
D2907	MTZJ15B-T2	ZENER DIODE	
D2921-24	1N4003-T2	SI. DIODE	
D2925	MTZJ10B-T2	ZENER DIODE	
D2951	RU4B-F1	SI. DIODE	
D2953	FMX-G12S	SI. DIODE	
D2954	BYW95B-20	SI. DIODE	
D2955	SF6L20U	SI. DIODE	
D2956-57	FMX-G12S	SI. DIODE	
D2958	BYD33M-T3	SI. DIODE	
D2959	RK44-LFT4	SI. DIODE	
D2960	MTZJ33B-T2	ZENER DIODE	
D2961-62	1SS133-T2	SI. DIODE	
D2964-66	1SS133-T2	SI. DIODE	
D2981-82	1SS133-T2	SI. DIODE	

△ Symbol No.	Part No.	Part Name	Description
TRANSISTOR			
Q2452	2SK2459N-F54	F. E. T.	
Q2501	BSN304-T	F. E. T.	
Q2502	2SC1815/YG/-T	SI. TRANSISTOR	
△ Q2521	2SC5552-RL	SI. TRANSISTOR	H. OUT
Q2581	2SA949/Y/Z1-T	SI. TRANSISTOR	
Q2582	DTC144ESA-T	DIGI. TRANSISTOR	
Q2583	2SC1815/YG/-T	SI. TRANSISTOR	
Q2921	2SC2655/Y/-T	SI. TRANSISTOR	
Q2981-82	2SC1815/YG/-T	SI. TRANSISTOR	

△ Symbol No.	Part No.	Part Name	Description
IC			
IC2451	BA10393	IC	
IC2901	STR-F6668B	I C	
IC2951	SE140N	I.C. (HYBRID)	
IC2952	BA12T	I.C. (MONO-ANA)	
IC2953	SI-8050S	I.C. (HYBRID)	
IC2954	BA033T	I.C. (MONO-ANA)	
IC2955	UPC2409AHF	I.C. (MONO-ANA)	
IC2956	BA08T	I C	

OTHERS			
△ CP2953	ICP-N75-Y	I.C.PROTECT	
△ CP2954	QMFZ034-4R0Z-J1	FUSE	4A
△ CP2955	QMFZ034-4R0Z-J1	FUSE	4A
K2521	CE41832-001	LEAD CORE	
K2523-25	CE41832-001	LEAD CORE	
K2901-02	CE42050-001Z	CORE	
K2951	QQR0679-001	FERRITE BEADS	
K2952	QQR0621-002Z	BEADS CORE	
K2953	QQR0716-001Z	LEAD CORE	
△ PC2901	TLP721F(D4-GR)	I.C. (PH. COUPLER)	
△ RY2981	QSK0086-001	RELAY	
△ TH2901	QAD0120-9R0	P.THERMISTOR	

CRT SOCKET PW BOARD ASS'Y (SMD-3005A-U2)

△ Symbol No.	Part No.	Part Name	Description
RESISTOR			
R3101	QRE141J-272Y	C R	2.7kΩ 1/4W J
R3102	QRE141J-153Y	C R	15kΩ 1/4W J
R3103	QRE141J-152Y	C R	1.5kΩ 1/4W J
R3104	QRE141J-680Y	C R	68Ω 1/4W J
R3105	QRE141J-221Y	C R	220Ω 1/4W J
R3107-08	QRE141J-470Y	C R	47Ω 1/4W J
△ R3109	QRZ9021-561	F R	560Ω 1W J
R3110	QRE141J-122Y	C R	1.2kΩ 1/4W J
R3111	QRE141J-390Y	C R	39Ω 1/4W J
R3112	QRE141J-2R7Y	C R	2.7Ω 1/4W J
R3113-14	QRE141J-563Y	C R	56kΩ 1/4W J
R3115	QRE141J-122Y	C R	1.2kΩ 1/4W J
R3116	QRE141J-2R7Y	C R	2.7Ω 1/4W J
R3117	QRE141J-390Y	C R	39Ω 1/4W J
R3118	QRE141J-121Y	C R	120Ω 1/4W J
R3119	QRL029J-391	OM R	390Ω 2W J
R3130	QRE141J-101Y	C R	100Ω 1/4W J
R3131	QRG01GJ-101	OM R	100Ω 1W J
R3204-06	QRE141J-152Y	C R	1.5kΩ 1/4W J
R3207	QRE141J-562Y	C R	5.6kΩ 1/4W J
R3208	QRE141J-123Y	C R	12kΩ 1/4W J
R3211	QRE141J-334Y	C R	330kΩ 1/4W J
R3223-25	QRE141J-182Y	C R	1.8kΩ 1/4W J
R3227	QRE141J-272Y	C R	2.7kΩ 1/4W J
R3228	QRE141J-822Y	C R	8.2kΩ 1/4W J
R3229-31	QRG01GJ-823	OM R	82kΩ 1W J
R3232-34	QRE141J-332Y	C R	3.3kΩ 1/4W J
R3235-37	QRC121K-152Z	COMP.R	1.5kΩ 1/2W K
R3239	QRZ0107-474Z	C R	470kΩ 1/2W K
R3241	QRZ0107-105Z	C R	1MΩ 1/2W K
R3301-02	QRE121J-474Y	C R	470kΩ 1/2W J
R3303-04	QRE141J-223Y	C R	22kΩ 1/4W J
R3305	QRE141J-562Y	C R	5.6kΩ 1/4W J

△ Symbol No.	Part No.	Part Name	Description
RESISTOR			
R3306	QRE141J-392Y	C R	3.9kΩ 1/4W J
R3307	QRE141J-101Y	C R	100Ω 1/4W J
R3308	QRE141J-471Y	C R	470Ω 1/4W J
R3309	QRE141J-120Y	C R	12Ω 1/4W J
R3310	QRE141J-331Y	C R	330Ω 1/4W J
R3311-12	QRE141J-472Y	C R	4.7kΩ 1/4W J
R3313	QRE141J-102Y	C R	1kΩ 1/4W J

CAPACITOR			
C3101	QETN1HM-106Z	E CAP.	10μF 50V M
C3103	QETN1HM-335Z	E CAP.	3.3μF 50V M
C3104	QETN1CM-107Z	E CAP.	100μF 16V M
C3107	QETN2CM-106Z	E CAP.	10μF 160V M
C3108-09	QCB32HK-472Z	C CAP.	4700pF 500V K
C3110	QETN2CM-106Z	E CAP.	10μF 160V M
C3111-12	QETN1AM-107Z	E CAP.	100μF 10V M
C3113	QETN1AM-337Z	E CAP.	330μF 10V M
C3118	QENC1HM-106Z	BP E CAP.	10μF 50V M
C3201-03	QCS31HJ-8R0Z	C CAP.	8.0pF 50V J
C3204	QCZ0120-104Z	C CAP.	1 Ω 25V Z
C3205	QCZ0120-104Z	C CAP.	1 Ω 25V Z
C3206	QCZ0120-104Z	C CAP.	1 Ω 25V Z
C3207-09	QETN1EM-476Z	E CAP.	47μF 25V M
C3210-12	QFK62EK-104Z	MM CAP.	0.1μF 250V K
C3213-15	QCS31HJ-181Z	C CAP.	180pF 50V J
C3216	QETN1CM-107Z	E CAP.	100μF 16V M
C3218	QETM2EM-336	E CAP.	33μF 250V M
C3219	QFZ0097-223	MM CAP.	0.022μF 1250V K
C3221	QETN2EM-106Z	E CAP.	10μF 250V M
C3301	QETN1CM-107Z	E CAP.	100μF 16V M
C3302	QFLC1HJ-103Z	M CAP.	0.01μF 50V J

COIL			
L3201-03	QQL01BK-4R7Z	PEAKING COIL	4.7μH
L3301	QQL26AJ-102Z	PEAKING COIL	1000μH

DIODE			
D3101-02	RH1S-T3	SI DIODE	
D3151	1SS133-T2	SI DIODE	
D3204-06	EU01N-T2	SI DIODE	
D3208-10	1SR124-400A-T2	SI DIODE	
D3301-03	1SS133-T2	SI DIODE	

TRANSISTOR			
Q3102	2SC3311A/QR/-T	SI TRANSISTOR	
Q3103	2SC1627A/OY/-T	SI TRANSISTOR	
Q3105	2SA1837	SI TRANSISTOR	
Q3106	2SC4793	SI TRANSISTOR	
Q3301	2SA1015/YG/-T	SI TRANSISTOR	
Q3302	2SC2655/Y/-T	SI TRANSISTOR	
Q3303	2SA1015/YG/-T	SI TRANSISTOR	
Q3304-05	2SC3311A/QR/-T	SI TRANSISTOR	

IC			
IC3201-03	TDA6111Q	I.C. (MONO-ANA)	

OTHERS			
K3101	CE41492-001Z	CHOKE COIL	
K3103-04	CE41492-001Z	CHOKE COIL	
K3105	QQR0621-002Z	BEADS CORE	
△ SK3001	CE42670-001	C.R.T. SOCKET	

AUDIO PW BOARD ASS'Y (SMD-6001A-U2)

△ Symbol No.	Part No.	Part Name	Description
RESISTOR			
R6101	QRN143J-2R2X	C R	2.2Ω 1/4W J
R6102	QRE141J-562Y	C R	5.6kΩ 1/4W J
R6103	QRE141J-223Y	C R	22kΩ 1/4W J
R6104	QRE141J-681Y	C R	680Ω 1/4W J
R6105-06	QRE141J-223Y	C R	22kΩ 1/4W J
R6107	QRE141J-183Y	C R	18kΩ 1/4W J
R6108	QRN143J-2R2X	C R	2.2Ω 1/4W J
R6109	QRE141J-562Y	C R	5.6kΩ 1/4W J
R6110	QRE141J-223Y	C R	22kΩ 1/4W J
R6111	QRE141J-681Y	C R	680Ω 1/4W J
R6112-13	QRE141J-223Y	C R	22kΩ 1/4W J
R6114	QRE141J-183Y	C R	18kΩ 1/4W J
R6115	QRN143J-103X	C R	10kΩ 1/4W J
R6116	QRE141J-273Y	C R	27kΩ 1/4W J
R6118-19	QRE141J-104Y	C R	100kΩ 1/4W J
R6122-23	QRE141J-104Y	C R	100kΩ 1/4W J
R6124	QRE141J-472Y	C R	4.7kΩ 1/4W J
R6125-26	QRE141J-223Y	C R	22kΩ 1/4W J

CAPACITOR			
C6101	QFV71HJ-684Z	MF CAP.	0.68μF 50V J
C6102-03	QETN1EM-228	E CAP.	2200μF 25V M
C6104	QETN1HM-476Z	E CAP.	47μF 50V M
C6105	QETN1HM-105Z	E CAP.	1μF 50V M
C6106	QETN1CM-107Z	E CAP.	100μF 16V M
C6108	QFV71HJ-684Z	MF CAP.	0.68μF 50V J
C6109-10	QFV71HJ-104Z	MF CAP.	0.1μF 50V J
C6111	QETN1HM-476Z	E CAP.	47μF 50V M
C6112	QETN1HM-105Z	E CAP.	1μF 50V M
C6113	QETN1CM-107Z	E CAP.	100μF 16V M
C6115-16	QFV71HJ-684Z	MF CAP.	0.68μF 50V J
C6123-24	QEZO206-335Z	BP E CAP.	33μF 50V M
C6125-26	QCS31HJ-181Z	C CAP.	180pF 50V J
C6127	QFLC1HJ-103Z	M CAP.	0.01μF 50V J

DIODE			
D6101-04	MTZJ27B-T2	ZENER DIODE	
D6105	MTZJ5.1B-T2	ZENER DIODE	
D6107	1S5133-T2	SI. DIODE	
D6108	MA700A-T2	SI. DIODE	
D6110-11	1S5133-T2	SI. DIODE	

TRANSISTOR			
Q6101	DTC144ESA-T	DIGI. TRANSISTOR	
Q6102	2SA1015/YG/-T	SI. TRANSISTOR	
Q6104	2SA1015/YG/-T	SI. TRANSISTOR	
Q6105	DTC144ESA-T	DIGI. TRANSISTOR	
Q6106-07	DTC323TS-T	DIGI. TRANSISTOR	

IC			
IC6101-02	TDA2052V	I. C. (MONO-ANA)	

OTHERS			
K6001-02	CE41433-001Z	BEADS CORE	

FRONT CONTROL PW BOARD ASSAY (SMD-8008A-U2)

△ Symbol No.	Part No.	Part Name	Description
RESISTOR			
R8001-02	QRE121J-151Y	C R	150Ω 1/2W J
R8003	QRE141J-222Y	C R	2.2kΩ 1/4W J
R8004	QRE141J-472Y	C R	4.7kΩ 1/4W J
R8005	QRE141J-561Y	C R	560Ω 1/4W J
R8007	QRE141J-103Y	C R	10kΩ 1/4W J
R8008	QRE141J-682Y	C R	6.8kΩ 1/4W J
R8009	QRE141J-105Y	C R	1MΩ 1/4W J
R8010	QRE141J-183Y	C R	18kΩ 1/4W J
R8011	QRE141J-123Y	C R	12kΩ 1/4W J
R8012	QRE141J-273Y	C R	27kΩ 1/4W J
R8013	QRE141J-332Y	C R	3.3kΩ 1/4W J
R8014	QRE141J-123Y	C R	12kΩ 1/4W J
R8020	QRE141J-562Y	C R	5.6kΩ 1/4W J
R8035	QRE141J-391Y	C R	390Ω 1/4W J
R8036-38	QRE141J-561Y	C R	560Ω 1/4W J
R8039	QRE141J-821Y	C R	820Ω 1/4W J

CAPACITOR					
C8001-02	QCB31HK-103Z	C CAP.	0.01μF	50V	K
C8003	QETN1HM-106Z	E CAP.	10μF	50V	M
C8004	QCZ0120-104Z	C CAP.	0.1μF	25V	Z
C8005	QETN1EM-476Z	E CAP.	47μF	25V	M
C8010-11	QCB31HK-472Z	C CAP.	4700pF	50V	K
C8019	QETN1CM-107Z	E CAP.	100μF	16V	M
C8021	QCZ0120-104Z	C CAP.	0.1μF	25V	Z
C8022	QETN1EM-476Z	E CAP.	47μF	25V	M
C8023	QCZ0120-104Z	C CAP.	0.1μF	25V	Z
△ C8901	QFZ9040-474	MF CAP.	0.47μF	FAC275V	M

COIL			
L8001	QQR0716-001Z	LEAD CORE	
L8002-03	QQL211K-5R6Y	PEAKING COIL	5.6μH
L8010-11	QQL211K-270Y	PEAKING COIL	27μH
L8012	QQR0716-001Z	LEAD CORE	

DIODE			
D8007	P1241-04	C. D. S.	
D8008	1S5133-T2	SI. DIODE	
D8009	SLR-342MG-T16	L. E. D. (GRN)	
D8010	SPR-39MWF	L. E. D.	
D8011	1S5133-T2	SI. DIODE	
D8012	SLR-342DU-T16	L. E. D. (ORG)	
D8013	SLR-342YY-T16	L. E. D. (YLW)	
D8014	MTZJ6.8A-T2	ZENER DIODE	
D8018	MTZJ5.1B-T2	ZENER DIODE	

TRANSISTOR			
Q8001	2SA1015/YG/-T	SI. TRANSISTOR	
Q8002	DTC144ESA-T	DIGI. TRANSISTOR	
Q8003-04	DTA144ESA-T	DIGI. TRANSISTOR	
Q8005-07	DTC144ESA-T	DIGI. TRANSISTOR	

IC			
IC8001	GP1U281Q	IFR DETECT UNIT	

OTHERS			
△ CN8002	CEM002-001Z	FUSE CLIP	
F8901	LC30596-001B-C	L. E. D. HOLDER	
J8001	CM35921-005-H	CDS HOLDER	
	QGFI220C2-25	FFC/FPC CONNECTO	
	QMF51D2-3R15J1	FUSE	3.15A
	QNS0155-001	JACK	

△ Symbol No.	Part No.	Part Name	Description
OTHERS			
J8003	QNDO073-001	S JACK	
J8004	CEMNO11-001	JACK	
J8005	CEMNO11-002	JACK	
J8006	CEMNO11-003	JACK	
△ LF8901	QQR1095-001	LINE FILTER	
△ LF8902	QQR1095-001	LINE FILTER	
S8001	QSW0619-003Z	PUSH SWITCH	MENU
S8002	QSW0619-003Z	PUSH SWITCH	CH DOWN
S8003	QSW0619-003Z	PUSH SWITCH	CH UP
△ S8901	QSW0824-001	PUSH SWITCH	MAIN POWER

DOLBY PW BOARD ASS'Y (SM0D001A-U2)

△ Symbol No.	Part No.	Part Name	Description
RESISTOR			
R0101	NRSA02J-153X	MG R	15kΩ 1/10W J
R0102	NRSA02J-683X	MG R	68kΩ 1/10W J
R0103	NRSA02J-153X	MG R	15kΩ 1/10W J
R0104	NRSA02J-683X	MG R	68kΩ 1/10W J
R0105	NRSA02J-105X	MG R	1MΩ 1/10W J
R0106-09	NRSA02J-271X	MG R	270Ω 1/10W J
R0111	NRSA02J-102X	MG R	1kΩ 1/10W J
R0112	NRSA02J-0R0X	MG R	0.0Ω 1/10W J
R0113	NRSA02J-102X	MG R	1kΩ 1/10W J
R0114	NRSA02J-0R0X	MG R	0.0Ω 1/10W J
R0115	NRSA02J-102X	MG R	1kΩ 1/10W J
R0201	NRSA02J-103X	MG R	10kΩ 1/10W J
R0203	NRSA02J-103X	MG R	10kΩ 1/10W J
R0204	NRSA02J-563X	MG R	56kΩ 1/10W J
R0205	NRSA02J-103X	MG R	10kΩ 1/10W J
R0207	NRSA02J-103X	MG R	10kΩ 1/10W J
R0208	NRSA02J-563X	MG R	56kΩ 1/10W J
R0209	NRSA02J-123X	MG R	12kΩ 1/10W J
R0211	NRSA02J-123X	MG R	12kΩ 1/10W J
R0212	NRSA02J-103X	MG R	10kΩ 1/10W J
R0214-15	NRSA02J-104X	MG R	100kΩ 1/10W J
R0216	NRSA02J-103X	MG R	10kΩ 1/10W J
R0217	NRSA02J-123X	MG R	12kΩ 1/10W J
R0219	NRSA02J-123X	MG R	12kΩ 1/10W J
R0221	NRSA02J-104X	MG R	100kΩ 1/10W J
R0222	NRSA02J-103X	MG R	10kΩ 1/10W J
R0223	NRSA02J-153X	MG R	15kΩ 1/10W J
R0225	NRSA02J-223X	MG R	22kΩ 1/10W J
R0227	NRSA02J-104X	MG R	100kΩ 1/10W J
R0228	NRSA02J-153X	MG R	15kΩ 1/10W J
R0229	NRSA02J-223X	MG R	22kΩ 1/10W J
R0231	NRSA02J-103X	MG R	10kΩ 1/10W J
R0232-33	NRSA02J-122X	MG R	1.2kΩ 1/10W J
R0301	NRSA02J-103X	MG R	10kΩ 1/10W J
R0401	NRSA02J-102X	MG R	1kΩ 1/10W J
R0402-03	NRSA02J-562X	MG R	5.6kΩ 1/10W J
R0404	NRSA02J-102X	MG R	1kΩ 1/10W J
R0431	NRSA02J-102X	MG R	1kΩ 1/10W J
R0432-33	NRSA02J-562X	MG R	5.6kΩ 1/10W J
R0434	NRSA02J-102X	MG R	1kΩ 1/10W J
R0451	NRSA02J-273X	MG R	27kΩ 1/10W J
R0452	NRSA02J-683X	MG R	68kΩ 1/10W J
R0453	NRSA02J-0R0X	MG R	0.0Ω 1/10W J
R0454	NRSA02J-473X	MG R	47kΩ 1/10W J
R0455	NRSA02J-333X	MG R	33kΩ 1/10W J
R0456-57	NRSA02J-473X	MG R	47kΩ 1/10W J

△ Symbol No.	Part No.	Part Name	Description
RESISTOR			
R0458	NRSA02J-102X	MG R	1kΩ 1/10W J
R0459	NRSA02J-223X	MG R	22kΩ 1/10W J
R0460	NRSA02J-393X	MG R	39kΩ 1/10W J
R0461	NRSA02J-273X	MG R	27kΩ 1/10W J
R0462	NRSA02J-122X	MG R	1.2kΩ 1/10W J
R0463	NRSA02J-273X	MG R	27kΩ 1/10W J
R0464	NRSA02J-683X	MG R	68kΩ 1/10W J
R0465	NRSA02J-0R0X	MG R	0.0Ω 1/10W J
R0466	NRSA02J-473X	MG R	47kΩ 1/10W J
R0467	NRSA02J-333X	MG R	33kΩ 1/10W J
R0468-69	NRSA02J-473X	MG R	47kΩ 1/10W J
R0470	NRSA02J-102X	MG R	1kΩ 1/10W J
R0471	NRSA02J-223X	MG R	22kΩ 1/10W J
R0472	NRSA02J-393X	MG R	39kΩ 1/10W J
R0473	NRSA02J-273X	MG R	27kΩ 1/10W J
R0474	NRSA02J-122X	MG R	1.2kΩ 1/10W J
R0475	NRSA02J-123X	MG R	12kΩ 1/10W J
R0476	NRSA02J-101X	MG R	100Ω 1/10W J
R0477	NRSA02J-223X	MG R	22kΩ 1/10W J
R0478	NRSA02J-101X	MG R	100Ω 1/10W J
R0479	NRSA02J-223X	MG R	22kΩ 1/10W J
R0480	NRSA02J-101X	MG R	100Ω 1/10W J
R0481-82	NRSA02J-223X	MG R	22kΩ 1/10W J
R0483	NRSA02J-183X	MG R	18kΩ 1/10W J
R0484	NRSA02J-223X	MG R	22kΩ 1/10W J
R0485-86	NRSA02J-103X	MG R	10kΩ 1/10W J
R0491	NRSA02J-101X	MG R	100Ω 1/10W J
R0492	NRSA02J-0R0X	MG R	0.0Ω 1/10W J
R0501	NRSA02J-223X	MG R	22kΩ 1/10W J
R0502	NRSA02J-332X	MG R	3.3kΩ 1/10W J
R0503	NRSA02J-103X	MG R	10kΩ 1/10W J
R0504	NRSA02J-104X	MG R	100kΩ 1/10W J
R0505	NRSA02J-332X	MG R	3.3kΩ 1/10W J
R0506	NRSA02J-122X	MG R	1.2kΩ 1/10W J
R0507	NRSA02J-223X	MG R	22kΩ 1/10W J
R0508	NRSA02J-103X	MG R	10kΩ 1/10W J
R0509	NRSA02J-104X	MG R	100kΩ 1/10W J
R0510-11	NRSA02J-681X	MG R	680Ω 1/10W J
R0512-13	NRSA02J-223X	MG R	22kΩ 1/10W J
R0514	NRSA02J-104X	MG R	100kΩ 1/10W J
R0516	NRSA02J-103X	MG R	10kΩ 1/10W J
R0517	NRSA02J-0R0X	MG R	0.0Ω 1/10W J
R0518	NRSA02J-103X	MG R	10kΩ 1/10W J
R0519	NRSA02J-0R0X	MG R	0.0Ω 1/10W J

CAPACITOR

C0101	NCF21EZ-104X	C CAP.	0.1μF 25V Z
C0103	NDC21HJ-221X	C CAP.	220pF 50V J
C0104	NEH71HM-475X	E CAP.	4.7μF 50V M
C0105	NCF21EZ-104X	C CAP.	0.1μF 25V Z
C0106-08	NEH71CM-476X	E CAP.	47μF 16V M
C0109	NEH71HM-475X	E CAP.	4.7μF 50V M
C0110	NDC21HJ-221X	C CAP.	220pF 50V J
C0111-12	NDC21HJ-100X	C CAP.	10pF 50V J
C0114-15	NEH71CM-476X	E CAP.	47μF 16V M
C0116	NCF21EZ-104X	C CAP.	0.1μF 25V Z
C0117-19	NEH71CM-476X	E CAP.	47μF 16V M
C0120	NCF21EZ-104X	C CAP.	0.1μF 25V Z
C0121-22	NEH71CM-476X	E CAP.	47μF 16V M
C0123	NCF21EZ-104X	C CAP.	0.1μF 25V Z
C0124-27	NDC21HJ-221X	C CAP.	220pF 50V J
C0128	NEH71CM-476X	E CAP.	47μF 16V M
C0129-33	NCF21EZ-104X	C CAP.	0.1μF 25V Z
C0134	NEHE1CM-227X	E CAP.	220μF 16V M
C0135	NCF21EZ-104X	C CAP.	0.1μF 25V Z
C0137	NEHE1EM-107X	E CAP.	100μF 25V M
C0138	NEH71CM-476X	E CAP.	47μF 16V M
C0139	NEHE1CM-227X	E CAP.	220μF 16V M
C0142	NCF21EZ-104X	C CAP.	0.1μF 25V Z
C0144-45	NCF21EZ-104X	C CAP.	0.1μF 25V Z

△ Symbol No.	Part No.	Part Name	Description
CAPACITOR			
C0146	NEHE1EM-107X	E CAP.	100μF 25V M
C0147	NCB21HK-102X	C CAP.	1000pF 50V K
C0148-49	NCB21HK-222X	C CAP.	2200pF 50V K
C0150	NEH71CM-106X	E CAP.	10μF 16V M
C0201-02	NCF21CZ-105X	C CAP.	1μF 16V Z
C0203	NEHE1EM-107X	E CAP.	100μF 25V M
C0204-05	NCF21CZ-105X	C CAP.	1μF 16V Z
C0208	NCF21CZ-105X	C CAP.	1μF 16V Z
C0209	NDC21HJ-470X	C CAP.	47pF 50V J
C0212	NDC21HJ-470X	C CAP.	47pF 50V J
C0213	NCF21CZ-105X	C CAP.	1μF 16V Z
C0214	NEHE1EM-107X	E CAP.	100μF 25V M
C0217	NCF21CZ-105X	C CAP.	1μF 16V Z
C0218	NDC21HJ-470X	C CAP.	47pF 50V J
C0219	NCF21CZ-105X	C CAP.	1μF 16V Z
C0220	NDC21HJ-470X	C CAP.	47pF 50V J
C0223-25	NEH71CM-476X	E CAP.	47μF 16V M
C0226-29	NRSA02J-0R0X	MG R	0.001 1/10W J
C0301	NEH71CM-476X	E CAP.	47μF 16V M
C0401	NEH71EM-226X	E CAP.	22μF 25V M
C0402	NEH71CM-476X	E CAP.	47μF 16V M
C0403-04	NCB21HK-272X	C CAP.	2700pF 50V K
C0405-06	NCF21CZ-105X	C CAP.	1μF 16V Z
C0407-10	NCF21EZ-104X	C CAP.	0.1μF 25V Z
C0431	NEH71EM-226X	E CAP.	22μF 25V M
C0432	NEHE1CM-227X	E CAP.	220μF 16V M
C0433-34	NCB21HK-272X	C CAP.	2700pF 50V K
C0435	NCF21CZ-105X	C CAP.	1μF 16V Z
C0436-39	NCF21EZ-104X	C CAP.	0.1μF 25V Z
C0440	NCF21CZ-105X	C CAP.	1μF 16V Z
C0451	NCF21CZ-105X	C CAP.	1μF 16V Z
C0452	NDC21HJ-100X	C CAP.	10pF 50V J
C0453	NCB21HK-103X	C CAP.	0.01μF 50V K
C0454	NCB21EK-563X	C CAP.	0.056μF 25V K
C0456	NEHE1EM-107X	E CAP.	100μF 25V M
C0457	NCF21CZ-105X	C CAP.	1μF 16V Z
C0458	NCB21EK-563X	C CAP.	0.056μF 25V K
C0459	NEHE1EM-107X	E CAP.	100μF 25V M
C0460	NCB21HK-103X	C CAP.	0.01μF 50V K
C0461	NDC21HJ-100X	C CAP.	10pF 50V J
C0462	NCF21CZ-105X	C CAP.	1μF 16V Z
C0465-67	NCF21CZ-105X	C CAP.	1μF 16V Z
C0468	NEH71CM-476X	E CAP.	47μF 16V M
C0471-72	NCF21CZ-105X	C CAP.	1μF 16V Z
C0473	NCB21HK-821X	C CAP.	820pF 50V K
C0474	NDC21HJ-470X	C CAP.	47pF 50V J
C0475	NEH71CM-476X	E CAP.	47μF 16V M
C0476	NCF21CZ-105X	C CAP.	1μF 16V Z
C0479-80	NDC21HJ-820X	C CAP.	82pF 50V J
C0501-02	NCF21CZ-105X	C CAP.	1μF 16V Z
C0503-04	NDC21HJ-100X	C CAP.	10pF 50V J
C0505	NEH71CM-476X	E CAP.	47μF 16V M
C0506-07	NEH71HM-106X	E CAP.	10μF 50V M
C0508	NEH71CM-476X	E CAP.	47μF 16V M
C0701-02	NCB21HK-222X	C CAP.	2200pF 50V K
COIL			
L0102-05	NQL02BJ-4R7X	COIL	4.7μH
L0701-02	NQL02BJ-100X	COIL	10μH
DIODE			
D0201-02	MA3062/M/-X	ZENER DIODE	
D0451	MA111-X	SI DIODE	
D0452	MA3062/M/-X	ZENER DIODE	
D0453	MA111-X	SI DIODE	
D0454	MA3062/M/-X	ZENER DIODE	
D0501-02	MA3150/M/-X	ZENER DIODE	
D0503	MA3062/M/-X	ZENER DIODE	

△ Symbol No.	Part No.	Part Name	Description
TRANSISTOR			
Q0301	DTC144EKA-X	DIGI. TRANSISTOR	
Q0451-52	DTC323TK-X	DIGI. TRANSISTOR	
Q0453	DTC144EKA-X	DIGI. TRANSISTOR	
Q0501	2SA1162/YG/-X	SI. TRANSISTOR	
Q0502-03	DTC323TK-X	DIGI. TRANSISTOR	
IC			
IC0101	TC9471F	I.C. (DIGI-MOS)	
IC0102	MN1382/Q/-X	I.C. (MONO-ANA)	
IC0201-03	BA4558F-X	I.C. (MONO-ANA)	
IC0301	TC4052BF/W/-XE	I.C. (DIGI-MOS)	
IC0401	TDA7315D	I.C. (DIGI-OTHER)	
IC0431	TDA7315D	I.C. (DIGI-OTHER)	
IC0451-53	BA4558F-X	I.C. (MONO-ANA)	
IC0501	BA4558F-X	I.C. (MONO-ANA)	
OTHERS			
J0001	QNN0294-001	PIN JACK	
J0002	QNB0006-002	PUSH TERMINAL	
K0101-05	CE42681-001Y	BEADS CORE	
LC0101-02	CE42482-103Y	EMI FILTER	
X0101	NAX0288-001X	CRYSTAL	
IF PW BOARD ASS'Y (SMD0F003A-U2)			
△ Symbol No.	Part No.	Part Name	Description
RESISTOR			
R0020	NRSA02J-472X	MG R	4.7kΩ 1/10W J
R0021	NRSA02J-122X	MG R	1.2kΩ 1/10W J
R0022	NRSA02J-331X	MG R	330Ω 1/10W J
R0023	NRSA02J-680X	MG R	680Ω 1/10W J
R0024	NRSA02J-330X	MG R	330Ω 1/10W J
R0025	NRSA02J-682X	MG R	6.8kΩ 1/10W J
R0026	NRSA02J-222X	MG R	2.2kΩ 1/10W J
R0030-31	NRSA02J-150X	MG R	150Ω 1/10W J
R0050-51	NRSA02J-121X	MG R	120Ω 1/10W J
R0052-53	NRSA02J-561X	MG R	560Ω 1/10W J
R0057	NRSA02J-472X	MG R	4.7kΩ 1/10W J
R0058	NRSA02J-272X	MG R	2.7kΩ 1/10W J
R0059	NRSA02J-273X	MG R	27kΩ 1/10W J
R0060-61	NRSA02J-471X	MG R	470Ω 1/10W J
R0062	NRSA02J-102X	MG R	1kΩ 1/10W J
R0063	NRSA02J-822X	MG R	8.2kΩ 1/10W J
R0064	NRSA02J-0R0X	MG R	0.0Ω 1/10W J
R0065	NRSA02J-470X	MG R	47Ω 1/10W J
R0070-71	NRSA02J-393X	MG R	39kΩ 1/10W J
R0080-81	NRSA02J-473X	MG R	47kΩ 1/10W J
R0082	NRSA02J-272X	MG R	2.7kΩ 1/10W J
R0101	NRSA02J-822X	MG R	8.2kΩ 1/10W J
R0102	NRSA02J-471X	MG R	470Ω 1/10W J
R0103	NRSA02J-102X	MG R	1kΩ 1/10W J
R0104	NRSA02J-121X	MG R	120Ω 1/10W J
R0105	NRSA02J-151X	MG R	150Ω 1/10W J
R0106	NRSA02J-181X	MG R	180Ω 1/10W J
R0107	NRSA02J-221X	MG R	220Ω 1/10W J
R0108	NRSA02J-102X	MG R	1kΩ 1/10W J
R0109	NRSA02J-181X	MG R	180Ω 1/10W J
R0111-12	NRSA02J-151X	MG R	150Ω 1/10W J
R0113	NRSA02J-391X	MG R	390Ω 1/10W J

Symbol No.	Part No.	Part Name	Description
RESISTOR			
R0114	NRSA02J-0R0X	MG R	0.0Ω 1/10W J
R0116	NRSA02J-102X	MG R	1kΩ 1/10W J
R0117	NRSA02J-332X	MG R	3.3kΩ 1/10W J
R0120	NRSA02J-222X	MG R	2.2kΩ 1/10W J
R0122-24	NRSA02J-103X	MG R	10kΩ 1/10W J
R0140	NRSA02J-474X	MG R	470kΩ 1/10W J
R0141	NRSA02J-101X	MG R	100Ω 1/10W J
R0142	NRSA02J-391X	MG R	390Ω 1/10W J
R0143	NRSA02J-750X	MG R	75Ω 1/10W J
R0144	NRSA02J-474X	MG R	470kΩ 1/10W J
R0145	NRSA02J-332X	MG R	3.3kΩ 1/10W J
R0146	NRSA02J-104X	MG R	100kΩ 1/10W J
R0601	NRSA02J-822X	MG R	8.2kΩ 1/10W J
R0602	NRSA02J-102X	MG R	1kΩ 1/10W J
R0603	NRSA02J-104X	MG R	100kΩ 1/10W J
R0604	NRSA02J-683X	MG R	68kΩ 1/10W J
R0605-06	NRSA02J-392X	MG R	3.9kΩ 1/10W J
R0607-08	NRSA02J-562X	MG R	5.6kΩ 1/10W J
R0609	QRZ9017-470	F R	47Ω 1/4W J

Symbol No.	Part No.	Part Name	Description
CAPACITOR			
C0020-25	NCB21HK-472X	C CAP.	4700pF 50V K
C0026	NCB21HK-472X	C CAP.	4700pF 50V K
C0031-32	NCB21HK-472X	C CAP.	4700pF 50V K
C0040	NCB21HK-682X	C CAP.	6800pF 50V K
C0041	QETN1CM-107Z	E CAP.	100μF 16V M
C0042	NCB21HK-103X	C CAP.	0.01μF 50V K
C0043	QETN1CM-107Z	E CAP.	100μF 16V M
C0044	NCB21HK-103X	C CAP.	0.01μF 50V K
C0046	NCB21HK-103X	C CAP.	0.01μF 50V K
C0047	QETN1CM-227Z	E CAP.	220μF 16V M
C0050	QETN1HM-105Z	E CAP.	1μF 50V M
C0051	NCB21HK-472X	C CAP.	4700pF 50V K
C0053	NDC21HJ-6R0X	C CAP.	6.0pF 50V J
C0054	NCB21HK-103X	C CAP.	0.01μF 50V K
C0055	QETN1CM-107Z	E CAP.	100μF 16V M
C0056	QETN1HM-474Z	E CAP.	0.47μF 50V M
C0057	NDC21HJ-102X	C CAP.	1000pF 50V J
C0058	NCB21HK-472X	C CAP.	4700pF 50V K
C0060	NDC21HJ-120X	C CAP.	12pF 50V J
C0061	NDC21HJ-7R0X	C CAP.	7.0pF 50V J
C0062	QETN1HM-474Z	E CAP.	0.47μF 50V M
C0063	NCB21HK-103X	C CAP.	0.01μF 50V K
C0064	NCB21HK-472X	C CAP.	4700pF 50V K
C0065	QETN1HM-105Z	E CAP.	1μF 50V M
C0067	NDC21HJ-120X	C CAP.	12pF 50V J
C0069-70	NCB21HK-103X	C CAP.	0.01μF 50V K
C0071	QETN1HM-336Z	E CAP.	33μF 50V M
C0080-81	NCB21HK-472X	C CAP.	4700pF 50V K
C0101	QETN1CM-476Z	E CAP.	47μF 16V M
C0102	NDC21HJ-221X	C CAP.	220pF 50V J
C0103-04	NDC21HJ-121X	C CAP.	120pF 50V J
C0105	NCB21HK-103X	C CAP.	0.01μF 50V K
C0140	QETN1HM-335Z	E CAP.	3.3μF 50V M
C0141	NDC21HJ-561X	C CAP.	560pF 50V J
C0142	QETN1HM-105Z	E CAP.	1μF 50V M
C0143	QFLC1HJ-683Z	M CAP.	0.068μF 50V J
C0144	QETN1HM-335Z	E CAP.	3.3μF 50V M
C0145	NCB21HK-222X	C CAP.	2200pF 50V K
C0601	QFLC1HJ-183Z	M CAP.	0.018μF 50V J
C0602	QETN1CM-476Z	E CAP.	47μF 16V M
C0603	QETN1HM-106Z	E CAP.	10μF 50V M
C0604	QETN1HM-105Z	E CAP.	1μF 50V M
C0605	QETN1CM-477Z	E CAP.	470μF 16V M
C0606	NCB21HK-103X	C CAP.	0.01μF 50V K

Symbol No.	Part No.	Part Name	Description
TRANSFORMER			
T0020	QQR0626-001	I. F. TRANSF.	
T0050	CEL T001-307	C. WAVE TRANSF.	
T0051	CEL T001-306	C. WAVE TRANSF.	

Symbol No.	Part No.	Part Name	Description
COIL			
L0020	QLLZ014-R47	PEAKING COIL	0.47μH
L0021	NQL011K-1RSX	COIL	1.5μH
L0040	NQL024J-120X	COIL	12μH
L0042	NQL024J-330X	COIL	33μH
L0050-53	NQL011K-8R2X	COIL	8.2μH
L0054	NQL024J-330X	COIL	33μH
L0070	NQL011K-5R6X	COIL	5.6μH
L0101	NQL011K-6R8X	COIL	6.8μH
L0102-03	NQL011K-100X	COIL	10μH
L0104	NQL011K-8R2X	COIL	8.2μH

Symbol No.	Part No.	Part Name	Description
DIODE			
D0021	DAN235K-X	CHIP DIODE	
D0050-51	DAN235K-X	CHIP DIODE	

Symbol No.	Part No.	Part Name	Description
TRANSISTOR			
Q0012	25C5083/L-P/-T	SI. TRANSISTOR	
Q0080	25C2712/YG/-X	SI. TRANSISTOR	
Q0101	25C2712/YG/-X	SI. TRANSISTOR	
Q0102	25A1162/YG/-X	SI. TRANSISTOR	
Q0103	DTC144EKA-X	DIGI. TRANSISTOR	
Q0104	25C2712/YG/-X	SI. TRANSISTOR	
Q0106	25C2712/YG/-X	SI. TRANSISTOR	
Q0107	25A1162/YG/-X	SI. TRANSISTOR	
Q0108	DTC144EKA-X	DIGI. TRANSISTOR	
Q0109-11	25C2712/YG/-X	SI. TRANSISTOR	
Q0120	DTC124EKA-X	DIGI. TRANSISTOR	
Q0122-26	DTC144EKA-X	DIGI. TRANSISTOR	
Q0601-02	25C2712/YG/-X	SI. TRANSISTOR	

Symbol No.	Part No.	Part Name	Description
IC			
IC0010	TA8865BN	I. C. (MONO-ANA)	

Symbol No.	Part No.	Part Name	Description
OTHERS			
CF0010-11	QAX0619-001	CERAMIC FILTER	
CF0100	TP55.5MW	CERAMIC FILTER	
CF0140	CSB503F30-T2	CER. RESONATOR	
SF0010	QAX0531-001	SAW FILTER	
SF0011	QAX0621-001	SAW FILTER	
TC0052	QAT7004-100	TRIM. CAP.	10pF 100V
TC0059	QAT7004-100	TRIM. CAP.	10pF 100V
W0008	NRSA02J-OROX	MG R	0.0Ω 1/10W J
W0013	NRSA02J-OROX	MG R	0.0Ω 1/10W J
W0015	NRSA02J-OROX	MG R	0.0Ω 1/10W J
W0025-26	NRSA02J-OROX	MG R	0.0Ω 1/10W J
W0028-29	NRSA02J-OROX	MG R	0.0Ω 1/10W J
W0031-32	NRSA02J-OROX	MG R	0.0Ω 1/10W J
W0036	NRSA02J-OROX	MG R	0.0Ω 1/10W J
W0073-75	NRSA02J-OROX	MG R	0.0Ω 1/10W J
W0094-99	NRSA02J-OROX	MG R	0.0Ω 1/10W J
Y0002	NRSA02J-OROX	MG R	0.0Ω 1/10W J

AV TERMINAL PW BOARD ASS'Y (SMD0J001A-U2)

△ Symbol No.	Part No.	Part Name	Description
RESISTOR			
R0104	QRE141J-750Y	C R	75Ω 1/4W J
R0106	QRE141J-750Y	C R	75Ω 1/4W J
R0108	QRE141J-750Y	C R	75Ω 1/4W J
R0112	QRE141J-750Y	C R	75Ω 1/4W J
R0204	QRE141J-750Y	C R	75Ω 1/4W J
R0304	QRE141J-750Y	C R	75Ω 1/4W J

CAPACITOR			
C0102-04	QEK1CM-106Z	E CAP.	10μF 16V M
C0105-08	QCB31HK-472Z	C CAP.	4700pF 50V K
C0109	QETN1AM-108Z	E CAP.	1000μF 10V M
C0202	QCB31HK-103Z	C CAP.	0.01μF 50V K
C0203-06	QCB31HK-472Z	C CAP.	4700pF 50V K
C0209	QETN1AM-108Z	E CAP.	1000μF 10V M
C0302	QCB31HK-103Z	C CAP.	0.01μF 50V K
C0305-06	QCB31HK-472Z	C CAP.	4700pF 50V K

COIL			
L0101-04	QQL211K-5R6Y	PEAKING COIL	5.6μH
L0105	QQR0716-001Z	LEAD CORE	
L0201-04	QQL211K-5R6Y	PEAKING COIL	5.6μH
L0205	QQR0716-001Z	LEAD CORE	
L0301-02	QQL211K-5R6Y	PEAKING COIL	5.6μH
L0303	QQR0716-001Z	LEAD CORE	

DIODE			
D0101-05	MTZJ13B-T2	ZENER DIODE	

OTHERS			
J0001-03	CE40529-006	SCART CONNECTOR	

PIP PW BOARD ASS'Y (SMD0P001A-U2)

△ Symbol No.	Part No.	Part Name	Description
RESISTOR			
R0002	NRSA02J-104X	MG R	100kΩ 1/10W J
R0003-06	NRSA02J-102X	MG R	1kΩ 1/10W J
R0100	NRSA02J-472X	MG R	4.7kΩ 1/10W J
R0101	NRSA02J-122X	MG R	1.2kΩ 1/10W J
R0102	NRSA02J-331X	MG R	330Ω 1/10W J
R0103	NRSA02J-680X	MG R	68Ω 1/10W J
R0104	NRSA02J-330X	MG R	33Ω 1/10W J
R0105-08	NRSA02J-103X	MG R	10kΩ 1/10W J
R0109	NRSA02J-222X	MG R	2.2kΩ 1/10W J
R0110-11	NRSA02J-0R0X	MG R	0.0Ω 1/10W J
R0112	NRSA02J-122X	MG R	1.2kΩ 1/10W J
R0113	NRSA02J-332X	MG R	3.3kΩ 1/10W J
R0114	NRSA02J-474X	MG R	470kΩ 1/10W J
R0115	NRSA02J-750X	MG R	75Ω 1/10W J
R0116	NRSA02J-101X	MG R	100Ω 1/10W J
R0117	NRSA02J-391X	MG R	390Ω 1/10W J
R0118	NRSA02J-474X	MG R	470kΩ 1/10W J
R0119	NRSA02J-471X	MG R	470Ω 1/10W J
R0120	NRSA02J-562X	MG R	5.6kΩ 1/10W J
R0121	NRSA02J-822X	MG R	8.2kΩ 1/10W J

△ Symbol No.	Part No.	Part Name	Description
RESISTOR			
R0122	NRSA02J-121X	MG R	120Ω 1/10W J
R0123	NRSA02J-470X	MG R	47Ω 1/10W J
R0124	NRSA02J-121X	MG R	120Ω 1/10W J
R0125	NRSA02J-561X	MG R	560Ω 1/10W J
R0126-27	NRSA02J-150X	MG R	15Ω 1/10W J
R0128	NRSA02J-332X	MG R	3.3kΩ 1/10W J
R0130	NRSA02J-561X	MG R	560Ω 1/10W J
R0131-32	NRSA02J-393X	MG R	39kΩ 1/10W J
R0133	NRSA02J-272X	MG R	2.7kΩ 1/10W J
R0134	NRSA02J-222X	MG R	2.2kΩ 1/10W J
R0135	NRSA02J-273X	MG R	27kΩ 1/10W J
R0136	NRSA02J-682X	MG R	6.8kΩ 1/10W J
R0138-39	NRSA02J-473X	MG R	47kΩ 1/10W J
R0140	NRSA02J-272X	MG R	2.7kΩ 1/10W J
R0141	NRSA02J-104X	MG R	100kΩ 1/10W J
R0142-43	NRSA02J-471X	MG R	470Ω 1/10W J
R0144	NRSA02J-103X	MG R	10kΩ 1/10W J
R0145	NRSA02J-332X	MG R	3.3kΩ 1/10W J
R0146	NRSA02J-222X	MG R	2.2kΩ 1/10W J
R0160	NRSA02J-103X	MG R	10kΩ 1/10W J
R0161	NRSA02J-121X	MG R	120Ω 1/10W J
R0162	NRSA02J-102X	MG R	1kΩ 1/10W J
R0163	NRSA02J-151X	MG R	150Ω 1/10W J
R0164	NRSA02J-221X	MG R	220Ω 1/10W J
R0165	NRSA02J-181X	MG R	180Ω 1/10W J
R0166	NRSA02J-102X	MG R	1kΩ 1/10W J
R0167	NRSA02J-181X	MG R	180Ω 1/10W J
R0169	NRSA02J-0R0X	MG R	0.0Ω 1/10W J
R0170	NRSA02J-222X	MG R	2.2kΩ 1/10W J
R0172	NRSA02J-471X	MG R	470Ω 1/10W J
R0173	NRSA02J-472X	MG R	4.7kΩ 1/10W J
R0174-76	NRSA02J-561X	MG R	560Ω 1/10W J
R0178	NRSA02J-152X	MG R	1.5kΩ 1/10W J
R0181	NRSA02J-561X	MG R	560Ω 1/10W J
R0182	NRSA02J-103X	MG R	10kΩ 1/10W J
R0183	NRSA02J-332X	MG R	3.3kΩ 1/10W J
R0185	NRSA02J-561X	MG R	560Ω 1/10W J
R0301	NRSA02J-153X	MG R	15kΩ 1/10W J
R0302	NRSA02J-823X	MG R	82kΩ 1/10W J
R0303-04	NRSA02J-101X	MG R	100Ω 1/10W J
R0305-07	NRSA02J-103X	MG R	10kΩ 1/10W J
R0601	NRSA02J-102X	MG R	1kΩ 1/10W J
R0602	NRSA02J-822X	MG R	8.2kΩ 1/10W J
△ R0603	QRZ9017-470	F R	47Ω 1/4W J
R0604	NRSA02J-104X	MG R	100kΩ 1/10W J
R0605	NRSA02J-683X	MG R	68kΩ 1/10W J
R0606	NRSA02J-272X	MG R	2.7kΩ 1/10W J
R0607	NRSA02J-392X	MG R	3.9kΩ 1/10W J
R0608	NRSA02J-822X	MG R	8.2kΩ 1/10W J
R0609	NRSA02J-562X	MG R	5.6kΩ 1/10W J
R0801-02	NRSA02J-820X	MG R	82Ω 1/10W J
R0803	NRSA02J-103X	MG R	10kΩ 1/10W J
R0804-09	NRSA02J-101X	MG R	100Ω 1/10W J
R0810-11	NRSA02J-393X	MG R	39kΩ 1/10W J
R0814-17	NRSA02J-0R0X	MG R	0.0Ω 1/10W J
R0820-23	NRSA02J-103X	MG R	10kΩ 1/10W J
R0824	NRSA02J-222X	MG R	2.2kΩ 1/10W J
R0825	NRSA02J-102X	MG R	1kΩ 1/10W J
R0826	NRSA02J-222X	MG R	2.2kΩ 1/10W J
R0827	NRSA02J-0R0X	MG R	0.0Ω 1/10W J
R0828	NRSA02J-331X	MG R	330Ω 1/10W J
R0829	NRSA02J-222X	MG R	2.2kΩ 1/10W J
R0830	NRSA02J-0R0X	MG R	0.0Ω 1/10W J
R0831	NRSA02J-150X	MG R	15Ω 1/10W J
R0832	NRSA02J-151X	MG R	150Ω 1/10W J
R0833	NRSA02J-182X	MG R	1.8kΩ 1/10W J
R0834	NRSA02J-0R0X	MG R	0.0Ω 1/10W J
R0835	NRSA02J-150X	MG R	15Ω 1/10W J
R0836	NRSA02J-151X	MG R	150Ω 1/10W J
R0837	NRSA02J-332X	MG R	3.3kΩ 1/10W J
R0838	NRSA02J-0R0X	MG R	0.0Ω 1/10W J

Symbol No.	Part No.	Part Name	Description
RESISTOR			
R0839	NRSA02J-222X	MG R	2.2kΩ 1/10W J
R0840	NRSA02J-822X	MG R	8.2kΩ 1/10W J
R0841	NRSA02J-103X	MG R	10kΩ 1/10W J
R0842	NRSA02J-562X	MG R	5.6kΩ 1/10W J
R0843	NRSA02J-472X	MG R	4.7kΩ 1/10W J
R0844	NRSA02J-222X	MG R	2.2kΩ 1/10W J
R0845-48	NRSA02J-221X	MG R	220Ω 1/10W J
R0849	NRSA02J-222X	MG R	2.2kΩ 1/10W J
R0850	NRSA02J-101X	MG R	100Ω 1/10W J
R0851	NRSA02J-153X	MG R	15kΩ 1/10W J
R0852	NRSA02J-472X	MG R	4.7kΩ 1/10W J
R0853-54	NRSA02J-102X	MG R	1kΩ 1/10W J
R0855	NRSA02J-223X	MG R	22kΩ 1/10W J
R0856-58	NRSA02J-473X	MG R	47kΩ 1/10W J
R0859-62	NRSA02J-562X	MG R	5.6kΩ 1/10W J
R0867-68	NRSA02J-101X	MG R	100Ω 1/10W J
R0869-71	NRSA02J-820X	MG R	82Ω 1/10W J
R0872-74	NRSA02J-821X	MG R	820Ω 1/10W J
R0875-99	NRSA02J-820X	MG R	82Ω 1/10W J
R0900-04	NRSA02J-820X	MG R	82Ω 1/10W J

Symbol No.	Part No.	Part Name	Description
CAPACITOR			
C0001	NCB21HK-222X	C CAP.	2200pF 50V K
C0002	NEH71CM-106X	E CAP.	10μF 16V M
C0003	NEHE1CM-227X	E CAP.	2200μF 16V M
C0004-05	NCF21EZ-104X	C CAP.	0.1μF 25V Z
C0006	QETN1HM-107Z	E CAP.	100μF 50V M
C0007	NEHE1EM-107X	E CAP.	100μF 25V M
C0008	NCF21EZ-104X	C CAP.	0.1μF 25V Z
C0009	NCB21HK-102X	C CAP.	1000pF 50V K
C0100	NEHE1CM-227X	E CAP.	220μF 16V M
C0102-07	NCB21HK-472X	C CAP.	4700pF 50V K
C0110	NCB21HK-222X	C CAP.	2200pF 50V K
C0111	NEH71HM-335X	E CAP.	3.3μF 50V M
C0112	QFLB1HJ-683	M CAP.	0.068μF 50V J
C0113	NEH71HM-105X	E CAP.	1μF 50V M
C0114	NDC21HJ-561X	C CAP.	560pF 50V J
C0115	NEH71HM-335X	E CAP.	3.3μF 50V M
C0116	NEHE1EM-107X	E CAP.	100μF 25V M
C0117	NCB21HK-103X	C CAP.	0.01μF 50V K
C0118	NCB21HK-682X	C CAP.	6800pF 50V K
C0119	NCB21HK-103X	C CAP.	0.01μF 50V K
C0120	NEH71HM-105X	E CAP.	1μF 50V M
C0121	NCB21HK-472X	C CAP.	4700pF 50V K
C0123	NEHE1EM-107X	E CAP.	100μF 25V M
C0124	NCB21HK-103X	C CAP.	0.01μF 50V K
C0126	NCB21HK-103X	C CAP.	0.01μF 50V K
C0127	NDC21HJ-7R0X	C CAP.	7.0pF 50V J
C0128	NDC21HJ-100X	C CAP.	10pF 50V J
C0129	QETM1CM-107	E CAP.	100μF 16V M
C0130	NDC21HJ-102X	C CAP.	1000pF 50V J
C0131	NEH71HM-474X	E CAP.	0.47μF 50V M
C0132	NDC21HJ-6R0X	C CAP.	6.0pF 50V J
C0133	NCB21HK-472X	C CAP.	4700pF 50V K
C0134	NRSA02J-0R0X	MG R	0.0Ω 1/10W J
C0135	NEH71EM-336X	E CAP.	33μF 25V M
C0136	NCB21HK-103X	C CAP.	0.01μF 50V K
C0137	NCB21HK-472X	C CAP.	4700pF 50V K
C0138	NEH71HM-474X	E CAP.	0.47μF 50V M
C0140	NCB21HK-103X	C CAP.	0.01μF 50V K
C0141	NDC21HJ-120X	C CAP.	12pF 50V J
C0142	NCB21HK-103X	C CAP.	0.01μF 50V K
C0143-44	NCB21HK-472X	C CAP.	4700pF 50V K
C0145	NCF21EZ-104X	C CAP.	0.1μF 25V Z
C0148	NCB21HK-472X	C CAP.	4700pF 50V K
C0149	NCF21EZ-104X	C CAP.	0.1μF 25V Z
C0152	NDC21HJ-121X	C CAP.	120pF 50V J
C0154-55	NCF21EZ-104X	C CAP.	0.1μF 25V Z
C0160	NEH71CM-476X	E CAP.	47μF 16V M
C0161	NDC21HJ-221X	C CAP.	220pF 50V J
C0162	NCB21HK-103X	C CAP.	0.01μF 50V K

Symbol No.	Part No.	Part Name	Description
CAPACITOR			
C0163	NEHE1EM-107X	E CAPACITOR	100μF 25V M
C0164-67	NCB21HK-103X	C CAP.	0.01μF 50V K
C0304	NCB21HK-332X	C CAP.	3300pF 50V K
C0305	NCF21EZ-474X	C CAP.	0.47μF 25V Z
C0306	NEN51HM-105X	CHIP AL BP E CAP	1μF 50V M
C0307	NCF21EZ-104X	C CAP.	0.1μF 25V Z
C0308	NCB21HK-332X	C CAP.	3300pF 50V K
C0309	NCF21EZ-104X	C CAP.	0.1μF 25V Z
C0310-11	NDC21HJ-150X	C CAP.	15pF 50V J
C0312-16	NCF21EZ-104X	C CAP.	0.1μF 25V Z
C0317	QETN1AM-477Z	E CAP.	470μF 10V M
C0318-20	NCF21EZ-104X	C CAP.	0.1μF 25V Z
C0321-23	NEH71CM-476X	E CAP.	47μF 16V M
C0601	NCB21HK-183X	C CAP.	0.018μF 50V K
C0602	QETN1CM-477Z	E CAP.	470μF 16V M
C0603	NCB21HK-103X	C CAP.	0.01μF 50V K
C0604	NEH71CM-476X	E CAP.	47μF 16V M
C0605	NEH71CM-106X	E CAP.	10μF 16V M
C0606	NEH71HM-105X	E CAP.	1μF 50V M
C0607	NCB21HK-223X	C CAP.	0.022μF 50V K
C0800	NEH71CM-106X	E CAP.	10μF 16V M
C0801	NEH71CM-476X	E CAP.	47μF 16V M
C0802-03	NCF21EZ-104X	C CAP.	0.1μF 25V Z
C0804	NCB21HK-104X	CHIP CAP.	0.1μF 50V K
C0805-08	NCF21EZ-104X	C CAP.	0.1μF 25V Z
C0809	NCB21HK-104X	CHIP CAP.	0.1μF 50V K
C0813-14	NCF21EZ-104X	C CAP.	0.1μF 25V Z
C0817	NCB21HK-104X	CHIP CAP.	0.1μF 50V K
C0818	NCF21EZ-104X	C CAP.	0.1μF 25V Z
C0822-26	NCF21EZ-104X	C CAP.	0.1μF 25V Z
C0829-36	NCF21EZ-104X	C CAP.	0.1μF 25V Z
C0837-38	NEH71CM-476X	E CAP.	47μF 16V M
C0844	NCF21EZ-104X	C CAP.	0.1μF 25V Z
C0845	NEH71CM-476X	E CAP.	47μF 16V M
C0846	NDC21HJ-270X	C CAP.	27pF 50V J
C0850	NEH71CM-106X	E CAP.	10μF 16V M
C0851-52	NCB21EK-104X	C CAP.	0.1μF 25V K
C0853	NEH71CM-106X	E CAP.	10μF 16V M
C0854-55	NCB21EK-104X	C CAP.	0.1μF 25V K
C0856	NEH71CM-476X	E CAP.	47μF 16V M
C0857	NEH71EM-475X	E CAP.	4.7μF 25V M
C0858	NCF21EZ-104X	C CAP.	0.1μF 25V Z
C0859	NDC21HJ-220X	C CAP.	22pF 50V J
C0860	NDC21HJ-680X	C CAP.	68pF 50V J
C0861	NDC21HJ-220X	C CAP.	22pF 50V J
C0862-64	NDC21HJ-680X	C CAP.	68pF 50V J
C0865	NEH71CM-106X	E CAP.	10μF 16V M
C0866-71	NCF21EZ-104X	C CAP.	0.1μF 25V Z
C0872	NCB21HK-104X	CHIP CAP.	0.1μF 50V K
C0873	NCF21EZ-104X	C CAP.	0.1μF 25V Z
C0874	NCB21HK-104X	CHIP CAP.	0.1μF 50V K
C0875	NEN51HM-105X	CHIP AL BP E CAP	1μF 50V M
C0876	NDC21HJ-221X	C CAP.	220pF 50V J
C0877	NEH71CM-106X	E CAP.	10μF 16V M

Symbol No.	Part No.	Part Name	Description
TRANSFORMER			
T0001	QQR0626-001	I. F. TRANSF.	
T0101	CELTO01-306	C. WAVE TRANSF.	
T0102	CELTO40-301	S. I. F. TRANSF.	
T0103	CELTO01-307	C. WAVE TRANSF.	

Symbol No.	Part No.	Part Name	Description
COIL			
L0001	NQL02BJ-330X	COIL	33μH
L0002-05	NQL024J-100X	COIL	10μH
L0100	QQLZ014-R47	PEAKING COIL	0.47μH
L0102	NQL011K-1RSX	COIL	1.5μH
L0103	NQL024J-120X	COIL	12μH
L0104-06	NQL011K-8R2X	COIL	8.2μH
L0108	NQL011K-8R2X	COIL	8.2μH
L0109	NQL011K-5R6X	COIL	5.6μH

Symbol No.	Part No.	Part Name	Description
COIL			
L0151-52	NQL011K-100X	COIL	10μH
L0160	NQL011K-100X	COIL	10μH
L0165	NQL011K-4R7X	COIL	4.7μH
L0801	NQL02BJ-4R7X	COIL	4.7μH
L0803	NQL011K-4R7X	COIL	4.7μH
L0804	NQL02BJ-4R7X	COIL	4.7μH
L0805-06	NQL011K-4R7X	COIL	4.7μH
DIODE			
D0100-03	DAN235K-X	CHIP DIODE	
TRANSISTOR			
Q0100	2SC5083/L-P/-T	SI. TRANSISTOR	
Q0101-04	DTC144EKA-X	DIGI. TRANSISTOR	
Q0105	2SC2712/YG/-X	SI. TRANSISTOR	
Q0106-07	DTC144EKA-X	DIGI. TRANSISTOR	
Q0108	2SC2712/YG/-X	SI. TRANSISTOR	
Q0109	DTC144EKA-X	DIGI. TRANSISTOR	
Q0110	2SC2712/YG/-X	SI. TRANSISTOR	
Q0111-12	DTC323TK-X	DIGI. TRANSISTOR	
Q0160	DTC144EKA-X	DIGI. TRANSISTOR	
Q0161	2SC2712/YG/-X	SI. TRANSISTOR	
Q0162	2SA1162/YG/-X	SI. TRANSISTOR	
Q0163	DTC144EKA-X	DIGI. TRANSISTOR	
Q0164	2SC2712/YG/-X	SI. TRANSISTOR	
Q0166	2SA1162/YG/-X	SI. TRANSISTOR	
Q0167	DTC144EKA-X	DIGI. TRANSISTOR	
Q0169	2SC2712/YG/-X	SI. TRANSISTOR	
Q0170	DTC144EKA-X	DIGI. TRANSISTOR	
Q0171	2SC2712/YG/-X	SI. TRANSISTOR	
Q0600-01	2SC2712/YG/-X	SI. TRANSISTOR	
Q0801-04	2SA1162/YG/-X	SI. TRANSISTOR	
Q0805	2SC2712/YG/-X	SI. TRANSISTOR	
Q0806-07	2SA1162/YG/-X	SI. TRANSISTOR	
Q0808-09	2SC2712/YG/-X	SI. TRANSISTOR	
Q0810	2SA1162/YG/-X	SI. TRANSISTOR	
IC			
IC0101	TA8865BN	I. C. (MONO-ANA)	
IC0102	LA7975	I. C. (MONO-ANA)	
IC0301	TDA9143/N3	I. C. (MONO-ANA)	
IC0302	TDA4665/V5	I. C. (MONO-ANA)	
IC0303	LA7016	I. C. (MONO-ANA)	
IC0801	SAB9079HS/N1	I. C. (DIGI-MOS)	
IC0802	MSM5416283-60-X	4M VD-RAM	
IC0803	AN5860	I. C. (MONO-ANA)	
IC0804	TC4066BF/M/-XE	I C	
IC0805	CXA1875AM-X	I. C. (MONO-ANA)	
OTHERS			
CF0101	LC30835-001A-C	SHIELD COVER	
CF0102-03	CSB503F30-T2	CER. RESONATOR	
CF0160	FTP40.40MF	CERAMIC FILTER	
CF0162	TP55.5MW	CERAMIC FILTER	
CF0164-65	QAX0336-001	CERAMIC FILTER	
CF0166	QAX0337-001	CERAMIC FILTER	
CF0168	CSB503E5	CER. RESONATOR	
	QAX0338-001	CERAMIC FILTER	
K0001-02	CE41433-001Z	BEADS CORE	
SF0100	QAX0531-001	SAW FILTER	
SF0101	CE42574-70Z	SAW FILTER	
SF0102	QAX0574-001	SAW FILTER	
TC0122	QAT7004-100	TRIM. CAP.	10pF 100V
TC0139	QAT7004-100	TRIM. CAP.	10pF 100V
TU0001	CEEK481-A04	TUNER	
UD0001	CEGA016-001	RF SPLITTER	
W0001	NRSA02J-OROX	MG R	0.0Ω 1/10W J
X0301	CE40749-001Z	CRYSTAL	
X0302	CE40668-001Z	CRYSTAL	
Y0107	NRSA02J-224X	MG R	220kΩ 1/10W J
Y0108-09	NRSA02J-OROX	MG R	0.0Ω 1/10W J

**SUB MICON & AUTO PANORAMA ASS'Y
(SMD0W001A-U2)**

Symbol No.	Part No.	Part Name	Description
RESISTOR			
R0001	NRSA02J-101X	MG R	100Ω 1/10W J
R0002	NRSA02J-104X	MG R	100kΩ 1/10W J
R0003	NRSA02J-393X	MG R	39kΩ 1/10W J
R0004	NRSA02J-332X	MG R	3.3kΩ 1/10W J
R0005-07	NRSA02J-102X	MG R	1kΩ 1/10W J
R0008	NRSA02J-472X	MG R	4.7kΩ 1/10W J
R0009	NRSA02J-331X	MG R	330Ω 1/10W J
R0010	NRSA02J-102X	MG R	1kΩ 1/10W J
R0011	NRSA02J-332X	MG R	3.3kΩ 1/10W J
R0012	NRSA02J-272X	MG R	2.7kΩ 1/10W J
R0020-26	NRSA02J-102X	MG R	1kΩ 1/10W J
R0045	NRSA02J-472X	MG R	4.7kΩ 1/10W J
R0051	NRSA02J-472X	MG R	4.7kΩ 1/10W J
R0054	NRSA02J-103X	MG R	10kΩ 1/10W J
R0060	NRSA02J-823X	MG R	82kΩ 1/10W J
R0751	NRSA02J-102X	MG R	1kΩ 1/10W J
R0752-57	NRSA02J-103X	MG R	10kΩ 1/10W J
R0758	NRSA02J-472X	MG R	4.7kΩ 1/10W J
R0759-60	NRSA02J-103X	MG R	10kΩ 1/10W J
R0761-66	NRSA02J-822X	MG R	8.2kΩ 1/10W J
CAPACITOR			
C0001	NEN51AM-336X	CHIP AL BP E CAP	33μF 10V M
C0002	NDC21HJ-221X	C CAP.	220pF 50V J
C0003	NDC21HJ-220X	C CAP.	22pF 50V J
C0004-05	NCB21HK-104X	CHIP CAP.	0.1μF 50V K
C0006	NEH71CM-476X	E CAP.	47μF 16V M
C0009	NEH71CM-106X	E CAP.	10μF 16V M
C0010-11	NCB21HK-104X	CHIP CAP.	0.1μF 50V K
C0751	NEH71CM-476X	E CAP.	47μF 16V M
C0752-57	NCB21HK-104X	CHIP CAP.	0.1μF 50V K
C0758	NCB21HK-103X	C CAP.	0.01μF 50V K
DIODE			
D0005	MA3051/M/-X	ZENER DIODE	
D0751	MA111-X	SI. DIODE	
D0752-53	MA3062/M/-X	ZENER DIODE	
TRANSISTOR			
Q0001-02	2SC2412K/QR/-X	SI. TRANSISTOR	
Q0003	2SA1037K/QR/-X	SI. TRANSISTOR	
Q0004-05	2SC2412K/QR/-X	SI. TRANSISTOR	
Q0751-52	2SC2712/YG/-X	SI. TRANSISTOR	
IC			
IC0001	JCC5035	I C	
IC0002	MN1382/Q/-X	I. C. (MONO-ANA)	
IC0751	SAB-C161RI-W	I. C. (DIGI-MOS)	
IC0752	MX23C4000PC10MD	IC	
IC0753	BR24C16F-X	I. C. (MEMORY-OTH)	
OTHERS			
X0001	CEMS007-03Z	IC SOCKET	
X0751	CE42564-001Y	CER. RESONATOR	
	QAX0534-001	C RESONATOR	

100Hz PW BOARD ASS'Y (SMD0Z005A-U2)

△ Symbol No.	Part No.	Part Name	Description
RESISTOR			
R0001-02	NRSA02J-101X	MG R	100Ω 1/10W J
R0004	NRSA02J-222X	MG R	2.2kΩ 1/10W J
R0005	NRSA02J-472X	MG R	4.7kΩ 1/10W J
R0101	NRSA02J-101X	MG R	100Ω 1/10W J
R0102	NRSA02J-102X	MG R	1kΩ 1/10W J
R0103	NRSA02J-331X	MG R	330Ω 1/10W J
R0104	NRSA02J-222X	MG R	2.2kΩ 1/10W J
R0105	NRSA02J-473X	MG R	47kΩ 1/10W J
R0106	NRSA02J-273X	MG R	27kΩ 1/10W J
R0107	NRSA02J-331X	MG R	330Ω 1/10W J
R0108	NRSA02J-181X	MG R	180Ω 1/10W J
R0109-10	NRSA02J-101X	MG R	100Ω 1/10W J
R0111	NRSA02J-222X	MG R	2.2kΩ 1/10W J
R0112	NRSA02J-101X	MG R	100Ω 1/10W J
R0113	NRSA02J-471X	MG R	470Ω 1/10W J
R0114	NRSA02J-221X	MG R	220Ω 1/10W J
R0121	NRSA02J-101X	MG R	100Ω 1/10W J
R0122	NRSA02J-102X	MG R	1kΩ 1/10W J
R0123	NRSA02J-331X	MG R	330Ω 1/10W J
R0124	NRSA02J-222X	MG R	2.2kΩ 1/10W J
R0125	NRSA02J-473X	MG R	47kΩ 1/10W J
R0126	NRSA02J-273X	MG R	27kΩ 1/10W J
R0127	NRSA02J-271X	MG R	270Ω 1/10W J
R0128	NRSA02J-181X	MG R	180Ω 1/10W J
R0129	NRSA02J-101X	MG R	100Ω 1/10W J
R0130	NRSA02J-330X	MG R	33Ω 1/10W J
R0131	NRSA02J-222X	MG R	2.2kΩ 1/10W J
R0132	NRSA02J-101X	MG R	100Ω 1/10W J
R0133	NRSA02J-471X	MG R	470Ω 1/10W J
R0134	NRSA02J-221X	MG R	220Ω 1/10W J
R0141	NRSA02J-101X	MG R	100Ω 1/10W J
R0142	NRSA02J-102X	MG R	1kΩ 1/10W J
R0143	NRSA02J-331X	MG R	330Ω 1/10W J
R0144	NRSA02J-222X	MG R	2.2kΩ 1/10W J
R0145	NRSA02J-473X	MG R	47kΩ 1/10W J
R0146	NRSA02J-273X	MG R	27kΩ 1/10W J
R0147	NRSA02J-271X	MG R	270Ω 1/10W J
R0148	NRSA02J-181X	MG R	180Ω 1/10W J
R0149	NRSA02J-101X	MG R	100Ω 1/10W J
R0150	NRSA02J-150X	MG R	15Ω 1/10W J
R0151	NRSA02J-222X	MG R	2.2kΩ 1/10W J
R0152	NRSA02J-101X	MG R	100Ω 1/10W J
R0153	NRSA02J-471X	MG R	470Ω 1/10W J
R0154	NRSA02J-221X	MG R	220Ω 1/10W J
R0155	NRSA02J-100X	MG R	10Ω 1/10W J
R0156	NRSA02J-122X	MG R	1.2kΩ 1/10W J
R0157	NRSA02J-560X	MG R	56Ω 1/10W J
R0158	NRSA02J-680X	MG R	68Ω 1/10W J
R0159	NRSA02J-101X	MG R	100Ω 1/10W J
R0160	NRSA02J-333X	MG R	33kΩ 1/10W J
R0161	NRSA02J-223X	MG R	22kΩ 1/10W J
R0162	NRSA02J-122X	MG R	1.2kΩ 1/10W J
R0163	NRSA02J-181X	MG R	180Ω 1/10W J
R0164	NRSA02J-680X	MG R	68Ω 1/10W J
R0165	NRSA02J-0R0X	MG R	0.0Ω 1/10W J
R0171	NRSA02J-101X	MG R	100Ω 1/10W J
R0172	NRSA02J-102X	MG R	1kΩ 1/10W J
R0173	NRSA02J-182X	MG R	1.8kΩ 1/10W J
R0174	NRSA02J-560X	MG R	56Ω 1/10W J
R0175	NRSA02J-105X	MG R	1MΩ 1/10W J
R0176	NRSA02J-681X	MG R	680Ω 1/10W J
R0177	NRSA02J-104X	MG R	100kΩ 1/10W J
R0178	NRSA02J-101X	MG R	100Ω 1/10W J
R0179	NRSA02J-471X	MG R	470Ω 1/10W J
R0180	NRSA02J-102X	MG R	1kΩ 1/10W J
R0181-82	NRSA02F-392X	MG R	3.9kΩ 1/10W F
R0183-84	NRSA02J-122X	MG R	1.2kΩ 1/10W J
R0185	NRSA02F-392X	MG R	3.9kΩ 1/10W F
R0186	NRSA02F-332X	MG R	3.3kΩ 1/10W F
R0187	NRSA02J-101X	MG R	100Ω 1/10W J
R0188	NRSA02J-563X	MG R	56kΩ 1/10W J

△ Symbol No.	Part No.	Part Name	Description
RESISTOR			
R0189	NRSA02J-470X	MG R	47Ω 1/10W J
R0190	NRSA02J-102X	MG R	1kΩ 1/10W J
R0191	NRSA02J-221X	MG R	220Ω 1/10W J
R0192	NRSA02J-220X	MG R	22Ω 1/10W J
R0193	NRSA02J-104X	MG R	100kΩ 1/10W J
R0201-16	NRSA02J-101X	MG R	100Ω 1/10W J
R0221-36	NRSA02J-101X	MG R	100Ω 1/10W J
R0303-18	NRSA02J-101X	MG R	100Ω 1/10W J
R0401	NRSA02J-103X	MG R	10kΩ 1/10W J
R0403	NRSA02J-223X	MG R	22kΩ 1/10W J
R0404	NRSA02J-222X	MG R	2.2kΩ 1/10W J
R0406	NRSA02J-102X	MG R	1kΩ 1/10W J
R0408	NRSA02J-561X	MG R	560Ω 1/10W J
R0409	NRSA02J-102X	MG R	1kΩ 1/10W J
R0411	NRSA02J-0R0X	MG R	0.0Ω 1/10W J
R0412	NRSA02J-561X	MG R	560Ω 1/10W J
R0413	NRSA02J-101X	MG R	100Ω 1/10W J
R0415	NRSA02J-151X	MG R	150Ω 1/10W J
R0417	NRSA02J-102X	MG R	1kΩ 1/10W J
R0418	NRSA02J-220X	MG R	22Ω 1/10W J
R0419	NRSA02J-101X	MG R	100Ω 1/10W J
R0420	NRSA02J-471X	MG R	470Ω 1/10W J
R0425	NRSA02J-0R0X	MG R	0.0Ω 1/10W J
R0426	NRSA02J-122X	MG R	1.2kΩ 1/10W J
R0428	NRSA02F-5231X	MG R	5.23kΩ 1/10W F
R0429	NRSA02F-333X	MG R	33kΩ 1/10W F
R0431	NRSA02J-0R0X	MG R	0.0Ω 1/10W J
R0432	NRSA02J-561X	MG R	560Ω 1/10W J
R0433	NRSA02J-101X	MG R	100Ω 1/10W J
R0435	NRSA02J-151X	MG R	150Ω 1/10W J
R0437	NRSA02J-102X	MG R	1kΩ 1/10W J
R0438	NRSA02J-220X	MG R	22Ω 1/10W J
R0439	NRSA02J-101X	MG R	100Ω 1/10W J
R0440	NRSA02J-471X	MG R	470Ω 1/10W J
R0441	NRSA02J-122X	MG R	1.2kΩ 1/10W J
R0442	NRSA02F-562X	MG R	5.6kΩ 1/10W F
R0443	NRSA02F-333X	MG R	33kΩ 1/10W F
R0451	NRSA02J-0R0X	MG R	0.0Ω 1/10W J
R0452	NRSA02J-561X	MG R	560Ω 1/10W J
R0453	NRSA02J-101X	MG R	100Ω 1/10W J
R0455	NRSA02J-151X	MG R	150Ω 1/10W J
R0457	NRSA02J-102X	MG R	1kΩ 1/10W J
R0458	NRSA02J-220X	MG R	22Ω 1/10W J
R0459	NRSA02J-101X	MG R	100Ω 1/10W J
R0460	NRSA02J-471X	MG R	470Ω 1/10W J
R0461	NRSA02J-122X	MG R	1.2kΩ 1/10W J
R0462	NRSA02F-5231X	MG R	5.23kΩ 1/10W F
R0463	NRSA02F-333X	MG R	33kΩ 1/10W F
R0471	NRSA02J-0R0X	MG R	0.0Ω 1/10W J
R0472	NRSA02J-391X	MG R	390Ω 1/10W J
R0473	NRSA02J-101X	MG R	100Ω 1/10W J
R0475	NRSA02J-330X	MG R	33Ω 1/10W J
R0476	NRSA02J-122X	MG R	1.2kΩ 1/10W J
R0477	NRSA02J-102X	MG R	1kΩ 1/10W J
R0478	NRSA02J-220X	MG R	22Ω 1/10W J
R0479	NRSA02J-101X	MG R	100Ω 1/10W J
R0480	NRSA02J-221X	MG R	220Ω 1/10W J
R0486	NRSA02J-683X	MG R	68kΩ 1/10W J
R0487	NRSA02J-103X	MG R	10kΩ 1/10W J
R0488	NRSA02J-223X	MG R	22kΩ 1/10W J
R0489	NRSA02J-562X	MG R	5.6kΩ 1/10W J
R0491-92	NRSA02J-102X	MG R	1kΩ 1/10W J
R0501	NRSA02J-823X	MG R	82kΩ 1/10W J
R0504	NRSA02J-472X	MG R	4.7kΩ 1/10W J
R0505	NRSA02J-272X	MG R	2.7kΩ 1/10W J
R0506	NRSA02J-472X	MG R	4.7kΩ 1/10W J
R0507	NRSA02J-0R0X	MG R	0.0Ω 1/10W J
R0512	NRSA02J-103X	MG R	10kΩ 1/10W J
R0514-15	NRSA02J-682X	MG R	6.8kΩ 1/10W J
R0516	NRSA02J-0R0X	MG R	0.0Ω 1/10W J
R0602-03	NRSA02J-680X	MG R	68Ω 1/10W J

△ Symbol No. Part No. Part Name Description

RESISTOR

R0604	QRN143J-221X	C R	220Ω 1/4W J
R0606	NRSA02J-680X	MG R	68Ω 1/10W J
R0607-08	NRSA02J-0R0X	MG R	0.0Ω 1/10W J
R0609	NRSA02J-100X	MG R	10Ω 1/10W J
R0610	NRSA02J-0R0X	MG R	0.0Ω 1/10W J
R0611	NRSA02J-100X	MG R	10Ω 1/10W J
R0612-13	NRSA02J-560X	MG R	56Ω 1/10W J
R0614	NRSA02J-100X	MG R	10Ω 1/10W J
R0615	NRSA02J-822X	MG R	8.2kΩ 1/10W J
R0616	NRSA02J-223X	MG R	22kΩ 1/10W J
R0704	NRSA02J-0R0X	MG R	0.0Ω 1/10W J
R0705-06	NRVA02D-123X	MF R	12kΩ 1/10W D
R0708	NRVA02D-123X	MF R	12kΩ 1/10W D
R0709	NRVA02D-103X	MF R	10kΩ 1/10W D
R0714	NRVA02D-123X	MF R	12kΩ 1/10W D
R0715	NRSA02J-333X	MG R	33kΩ 1/10W J
R0716	NRSA02J-273X	MG R	27kΩ 1/10W J
R0717	NRSA02J-123X	MG R	12kΩ 1/10W J
R0718	NRSA02J-473X	MG R	47kΩ 1/10W J
R0719	NRSA02J-472X	MG R	4.7kΩ 1/10W J
R0720	NRSA02J-223X	MG R	22kΩ 1/10W J
R0721	NRSA02J-123X	MG R	12kΩ 1/10W J
R0723	NRSA02J-682X	MG R	6.8kΩ 1/10W J
R0724	NRSA02J-272X	MG R	2.7kΩ 1/10W J
R0726	NRSA02J-153X	MG R	15kΩ 1/10W J
R0727	NRSA02J-563X	MG R	56kΩ 1/10W J
R0731	NRSA02J-0R0X	MG R	0.0Ω 1/10W J
R0733	NRSA02J-154X	MG R	150kΩ 1/10W J
R0734	NRSA02J-123X	MG R	12kΩ 1/10W J
R0736	NRSA02J-123X	MG R	12kΩ 1/10W J
R0737	NRSA02J-224X	MG R	220kΩ 1/10W J
R0738	NRSA02J-273X	MG R	27kΩ 1/10W J
R0739	NRSA02J-332X	MG R	3.3kΩ 1/10W J
R0740	NRSA02J-682X	MG R	6.8kΩ 1/10W J
R0741	NRSA02J-223X	MG R	22kΩ 1/10W J
R0742	NRSA02J-224X	MG R	220kΩ 1/10W J
R0743	NRSA02J-683X	MG R	68kΩ 1/10W J
R0744	NRSA02J-224X	MG R	220kΩ 1/10W J
R0745	NRSA02J-563X	MG R	56kΩ 1/10W J
R0746	NRSA02J-683X	MG R	68kΩ 1/10W J

CAPACITOR

C0001	NEH71CM-476X	E CAP.	47μF 16V M
C0002	NCF21EZ-104X	C CAP.	0.1μF 25V Z
C0003	NEH71CM-476X	E CAP.	47μF 16V M
C0004	NCF21EZ-104X	C CAP.	0.1μF 25V Z
C0005	NEH71CM-476X	E CAP.	47μF 16V M
C0006	NCF21EZ-104X	C CAP.	0.1μF 25V Z
C0007	NEH71CM-476X	E CAP.	47μF 16V M
C0008	NCF21EZ-104X	C CAP.	0.1μF 25V Z
C0009	NDC21HJ-121X	C CAP.	120pF 50V J
C0011	NDC21HJ-270X	C CAP.	27pF 50V J
C0102	NDC21HJ-121X	C CAP.	120pF 50V J
C0103	NDC21HJ-680X	C CAP.	68pF 50V J
C0104	NENS1EM-106X	CHIP AL BP E CAP	10μF 25V M
C0105	NCF21HZ-224X	C CAP.	0.22μF 50V Z
C0106	NCF21EZ-104X	C CAP.	0.1μF 25V Z
C0107	NDC21HJ-390X	C CAP.	39pF 50V J
C0108	NEH71CM-476X	E CAP.	47μF 16V M
C0109	NENS1HM-105X	CHIP AL BP E CAP	1μF 50V M
C0110	NCB21HK-103X	C CAP.	0.01μF 50V K
C0111	NDC21HJ-181X	C CAP.	180pF 50V J
C0112-14	NEH71CM-106X	E CAP.	10μF 16V M
C0122	NDC21HJ-121X	C CAP.	120pF 50V J
C0123	NDC21HJ-680X	C CAP.	68pF 50V J
C0124	NENS1HM-105X	CHIP AL BP E CAP	1μF 50V M
C0125	NCF21HZ-224X	C CAP.	0.22μF 50V Z
C0126	NCF21EZ-104X	C CAP.	0.1μF 25V Z
C0142	NDC21HJ-121X	C CAP.	120pF 50V J
C0143	NDC21HJ-680X	C CAP.	68pF 50V J
C0144	NENS1HM-105X	CHIP AL BP E CAP	1μF 50V M

△ Symbol No. Part No. Part Name Description

CAPACITOR

C0145	NCF21HZ-224X	C CAP.	0.22μF 50V Z
C0146	NCF21EZ-104X	C CAP.	0.1μF 25V Z
C0151	NCB21HK-103X	C CAP.	0.01μF 50V K
C0152	QETNOJM-228Z	E CAP.	2200μF 6.3V M
C0153	NCF21EZ-104X	C CAP.	0.1μF 25V Z
C0154-55	NEH71HM-105X	E CAP.	1μF 50V M
C0156-57	NCF21EZ-104X	C CAP.	0.1μF 25V Z
C0161-62	NEH71CM-106X	E CAP.	10μF 16V M
C0163	NCF21EZ-104X	C CAP.	0.1μF 25V Z
C0164	NEH71CM-106X	E CAP.	10μF 16V M
C0165-80	NCF21EZ-104X	C CAP.	0.1μF 25V Z
C0181-82	NDC21HJ-8R0X	C CAP.	8.0pF 50V J
C0191	NCF21EZ-104X	C CAP.	0.1μF 25V Z
C0192	NEH71CM-106X	E CAP.	10μF 16V M
C0193	NCB21HK-103X	C CAP.	0.01μF 50V K
C0194	NRSA02J-223X	MG R	22kΩ 1/10W J
C0201-02	QETNOJM-477Z	E CAP.	470μF 6.3V M
C0203-07	NCF21EZ-104X	C CAP.	0.1μF 25V Z
C0208-09	NDC21HJ-150X	C CAP.	15pF 50V J
C0301-19	NCF21EZ-104X	C CAP.	0.1μF 25V Z
C0401	NEH71CM-106X	E CAP.	10μF 16V M
C0402	NCF21EZ-104X	C CAP.	0.1μF 25V Z
C0403	NEH71CM-106X	E CAP.	10μF 16V M
C0404	NCF21EZ-104X	C CAP.	0.1μF 25V Z
C0405-06	NDC21HJ-120X	C CAP.	12pF 50V J
C0408-13	NCB21HK-103X	C CAP.	0.01μF 50V K
C0414	NCF21EZ-104X	C CAP.	0.1μF 25V Z
C0415	NEH71HM-105X	E CAP.	1μF 50V M
C0416	NEH71CM-106X	E CAP.	10μF 16V M
C0417	NCF21EZ-104X	C CAP.	0.1μF 25V Z
C0420	NEH71HM-105X	E CAP.	1μF 50V M
C0422	NRSA02J-0R0X	MG R	0.0Ω 1/10W J
C0424	NEH71HM-105X	E CAP.	1μF 50V M
C0425	NEH71CM-476X	E CAP.	47μF 16V M
C0426	NCF21EZ-104X	C CAP.	0.1μF 25V Z
C0432	NRSA02J-0R0X	MG R	0.0Ω 1/10W J
C0434	NEH71HM-105X	E CAP.	1μF 50V M
C0435	NCF21EZ-104X	C CAP.	0.1μF 25V Z
C0452	NRSA02J-0R0X	MG R	0.0Ω 1/10W J
C0454	NEH71HM-105X	E CAP.	1μF 50V M
C0455	NCF21EZ-104X	C CAP.	0.1μF 25V Z
C0472	NRSA02J-0R0X	MG R	0.0Ω 1/10W J
C0474	NEH71HM-105X	E CAP.	1μF 50V M
C0475-76	NCF21EZ-104X	C CAP.	0.1μF 25V Z
C0477	NDC21HJ-561X	C CAP.	560pF 50V J
C0501	NCB21HK-333X	C CAP.	0.033μF 50V K
C0504	NCB21HK-562X	C CAP.	5600pF 50V K
C0505-06	NCB21HK-393X	C CAP.	0.039μF 50V K
C0601	NCF21EZ-104X	C CAP.	0.1μF 25V Z
C0602	NEH71CM-476X	E CAP.	47μF 16V M
C0603	NCF21EZ-104X	C CAP.	0.1μF 25V Z
C0605	NCF21EZ-104X	C CAP.	0.1μF 25V Z
C0606	NDC21HJ-681X	C CAP.	680pF 50V J
C0701	NCB21HK-102X	C CAP.	1000pF 50V K
C0706	NCB21EK-154X	C CAP.	0.15μF 25V K
C0707	NCB21EK-104X	C CAP.	0.1μF 25V K
C0708	NCB21HK-103X	C CAP.	0.01μF 50V K
C0709	NCF21EZ-104X	C CAP.	0.1μF 25V Z
C0710	NEH71CM-106X	E CAP.	10μF 16V M
C0711	NCF21EZ-104X	C CAP.	0.1μF 25V Z
C0712	NEH71CM-106X	E CAP.	10μF 16V M
C0713	NCB21HK-223X	C CAP.	0.022μF 50V K
L0001-05	NQL02BJ-4R7X	COIL	4.7μH
L0101	NQL011K-3R3X	COIL	3.3μH
L0121	NQL011K-3R3X	COIL	3.3μH
L0141	NQL011K-3R3X	COIL	3.3μH
L0161	NQL02BJ-100X	COIL	10μH
L0162	NQL02BJ-3R3X	COIL	3.3μH
L0163-64	NQL02BJ-100X	COIL	10μH

COIL

Symbol No.	Part No.	Part Name	Description
COIL			
L0201-02	NQL02BJ-100X	COIL	10μH
L0301-02	NQL02BJ-4R7X	COIL	4.7μH

Symbol No.	Part No.	Part Name	Description
DIODE			
D0001	MA152HK-X	SI. DIODE	
D0101-02	MA3068/M/-X	ZENER DIODE	
D0103	MA3043-X	ZENER DIODE	
D0104-05	MA111-X	SI. DIODE	
D0106	MA3068/M/-X	ZENER DIODE	
D0107	MA111-X	SI. DIODE	
D0401	MA111-X	SI. DIODE	
D0403-10	MA3068/M/-X	ZENER DIODE	
D0411-13	MA111-X	SI. DIODE	
D0414	MA3068/M/-X	ZENER DIODE	
D0701	MA111-X	SI. DIODE	

Symbol No.	Part No.	Part Name	Description
TRANSISTOR			
Q0101	2SA1162/YG/-X	SI. TRANSISTOR	
Q0102	2SC2712/YG/-X	SI. TRANSISTOR	
Q0103	2SA1162/YG/-X	SI. TRANSISTOR	
Q0104	2SC2712/YG/-X	SI. TRANSISTOR	
Q0105	2SA1162/YG/-X	SI. TRANSISTOR	
Q0106-07	2SC2712/YG/-X	SI. TRANSISTOR	
Q0108	2SA1162/YG/-X	SI. TRANSISTOR	
Q0109-10	2SC2712/YG/-X	SI. TRANSISTOR	
Q0111	2SA1162/YG/-X	SI. TRANSISTOR	
Q0121	2SA1162/YG/-X	SI. TRANSISTOR	
Q0122	2SC2712/YG/-X	SI. TRANSISTOR	
Q0123	2SA1162/YG/-X	SI. TRANSISTOR	
Q0124	2SC2712/YG/-X	SI. TRANSISTOR	
Q0141	2SA1162/YG/-X	SI. TRANSISTOR	
Q0142	2SC2712/YG/-X	SI. TRANSISTOR	
Q0143	2SA1162/YG/-X	SI. TRANSISTOR	
Q0144	2SC2712/YG/-X	SI. TRANSISTOR	
Q0151-52	2SC2712/YG/-X	SI. TRANSISTOR	
Q0153	2SA1162/YG/-X	SI. TRANSISTOR	
Q0154	2SC2712/YG/-X	SI. TRANSISTOR	
Q0155	2SA1162/YG/-X	SI. TRANSISTOR	
Q0402	2SC2712/YG/-X	SI. TRANSISTOR	
Q0403-05	2SA1162/YG/-X	SI. TRANSISTOR	
Q0411	2SA1162/YG/-X	SI. TRANSISTOR	
Q0412-15	2SC2712/YG/-X	SI. TRANSISTOR	
Q0431	2SA1162/YG/-X	SI. TRANSISTOR	
Q0432-35	2SC2712/YG/-X	SI. TRANSISTOR	
Q0451	2SA1162/YG/-X	SI. TRANSISTOR	
Q0452-55	2SC2712/YG/-X	SI. TRANSISTOR	
Q0471	2SA1162/YG/-X	SI. TRANSISTOR	
Q0472-74	2SC2712/YG/-X	SI. TRANSISTOR	
Q0501	2SC2712/YG/-X	SI. TRANSISTOR	
Q0601	2SC2712/YG/-X	SI. TRANSISTOR	
Q0702	2SC2712/YG/-X	SI. TRANSISTOR	

Symbol No.	Part No.	Part Name	Description
IC			
IC0101	SDA9206	I C	
IC0102	TC4W66F-X	I.C. (DIGI-MOS)	
IC0201	SDA9400	I C	
IC0301	JCC5043	I.C (DIGI-MOS)	
IC0401	DDP3310B/E4-W	I.C (M)	

Symbol No.	Part No.	Part Name	Description
OTHERS			
IC0601	SN74LV04ANS-X	I.C (DIGI-MOS)	
IC0602	TC74AC00F-X	I.C (DIGI-MOS)	
IC0603	MN1382/Q/-X	I.C (MONO-ANA)	
IC0701-02	NJM4556AM-XE	I.C (MONO-ANA)	
LC0001-04	CE42482-103Y	EMI FILTER	
LC0101-03	CE42482-470Y	EMI FILTER	
LC0104	CE42126-101Y	EMI FILTER	
LC0201	CE42482-103Y	EMI FILTER	

Symbol No.	Part No.	Part Name	Description
OTHERS			
LC0401-11	CE42126-220Y	FILTER	
LC0601	CE42126-101Y	FILTER	
LC0602	CE42482-470Y	EMI FILTER	
LC0603	CE42126-101Y	FILTER	
X0101	QAX0549-001Z	X TAL	
X0201	QAX0359-001Z	CRYSTAL	
X0401	QAX0548-001Z	CRYSTAL	
Y0001-14	NRSA02J-OR0X	MG R	0.0Ω 1/10W J
Y0017-28	NRSA02J-OR0X	MG R	0.0Ω 1/10W J

AV-32WFP1EK(A)

PRINTED WIRING BOARD PARTS LIST

MAIN PW BOARD ASS'Y (SMD-1904A-U2)

Symbol No.	Part No.	Part Name	Description
RESISTOR			
R1002	NRSA02J-103X	MG R	10kΩ 1/10W J
R1003-06	NRSA02J-102X	MG R	1kΩ 1/10W J
R1101-03	NRSA02J-102X	MG R	1kΩ 1/10W J
R1104	NRSA02J-681X	MG R	680Ω 1/10W J
R1105	NRSA02J-392X	MG R	3.9kΩ 1/10W J
R1107	NRSA02J-391X	MG R	390Ω 1/10W J
R1108	NRSA02J-102X	MG R	1kΩ 1/10W J
R1109	NRSA02J-103X	MG R	10kΩ 1/10W J
R1110	NRSA02J-472X	MG R	4.7kΩ 1/10W J
R1111	NRSA02J-821X	MG R	820Ω 1/10W J
R1112	NRSA02J-101X	MG R	100Ω 1/10W J
R1113	NRSA02J-102X	MG R	1kΩ 1/10W J
R1121-22	NRSA02J-0R0X	MG R	0.0Ω 1/10W J
R1123	NRSA02J-152X	MG R	1.5kΩ 1/10W J
R1124	NRSA02J-821X	MG R	820Ω 1/10W J
R1125-27	NRSA02J-103X	MG R	10kΩ 1/10W J
R1128	NRSA02J-153X	MG R	15kΩ 1/10W J
R1131-33	NRSA02J-102X	MG R	1kΩ 1/10W J
R1134	NRSA02J-681X	MG R	680Ω 1/10W J
R1135	NRSA02J-561X	MG R	560Ω 1/10W J
R1136	NRSA02J-681X	MG R	680Ω 1/10W J
R1137	NRSA02J-102X	MG R	1kΩ 1/10W J
R1138	NRSA02J-391X	MG R	390Ω 1/10W J
R1140	NRSA02J-103X	MG R	10kΩ 1/10W J
R1141	NRSA02J-472X	MG R	4.7kΩ 1/10W J
R1142	NRSA02J-821X	MG R	820Ω 1/10W J
R1151	NRSA02J-222X	MG R	2.2kΩ 1/10W J
R1152-53	NRSA02J-102X	MG R	1kΩ 1/10W J
R1154	NRSA02J-681X	MG R	680Ω 1/10W J
R1155	NRSA02J-561X	MG R	560Ω 1/10W J
R1156	NRSA02J-681X	MG R	680Ω 1/10W J
R1157	NRSA02J-102X	MG R	1kΩ 1/10W J
R1158	NRSA02J-391X	MG R	390Ω 1/10W J
R1160	NRSA02J-103X	MG R	10kΩ 1/10W J
R1161	NRSA02J-472X	MG R	4.7kΩ 1/10W J
R1162	NRSA02J-821X	MG R	820Ω 1/10W J
R1171	NRSA02J-103X	MG R	10kΩ 1/10W J
R1172	NRSA02J-562X	MG R	5.6kΩ 1/10W J
R1173	NRSA02J-221X	MG R	220Ω 1/10W J
R1174	NRSA02J-272X	MG R	2.7kΩ 1/10W J
R1175	NRSA02J-102X	MG R	1kΩ 1/10W J
R1176	NRSA02J-392X	MG R	3.9kΩ 1/10W J
R1177	NRSA02J-472X	MG R	4.7kΩ 1/10W J
R1178	NRSA02J-0R0X	MG R	0.0Ω 1/10W J
R1179	NRSA02J-272X	MG R	2.7kΩ 1/10W J
R1201-02	NRSA02J-103X	MG R	10kΩ 1/10W J
R1203	NRSA02J-750X	MG R	75Ω 1/10W J
R1204	QRK126J-151X	C R	150Ω 1/2W J
R1205	NRSA02J-101X	MG R	100Ω 1/10W J
R1206	QRG01GJ-101	OM R	100Ω 1W J
R1207	NRSA02J-223X	MG R	22kΩ 1/10W J
R1208	NRSA02J-473X	MG R	47kΩ 1/10W J
R1209	NRSA02J-683X	MG R	68kΩ 1/10W J
R1210	NRSA02J-153X	MG R	15kΩ 1/10W J
R1211	NRSA02J-103X	MG R	10kΩ 1/10W J
R1212	NRSA02J-473X	MG R	47kΩ 1/10W J
R1213	NRSA02J-273X	MG R	27kΩ 1/10W J
R1214	NRSA02J-103X	MG R	10kΩ 1/10W J
R1215	NRSA02J-222X	MG R	2.2kΩ 1/10W J
R1216	NRSA02J-333X	MG R	33kΩ 1/10W J
R1217	NRSA02J-222X	MG R	2.2kΩ 1/10W J
R1218	NRSA02J-333X	MG R	33kΩ 1/10W J
R1219	NRSA02J-823X	MG R	82kΩ 1/10W J
R1220	NRSA02J-0R0X	MG R	0.0Ω 1/10W J

Symbol No.	Part No.	Part Name	Description
RESISTOR			
R1221	NRSA02J-391X	MG R	390Ω 1/10W J
R1222	NRSA02J-823X	MG R	82kΩ 1/10W J
R1223	NRSA02J-0R0X	MG R	0.0Ω 1/10W J
R1224	NRSA02J-391X	MG R	390Ω 1/10W J
R1225-26	NRSA02J-223X	MG R	22kΩ 1/10W J
R1227	NRSA02J-104X	MG R	100kΩ 1/10W J
R1228	NRSA02J-560X	MG R	56Ω 1/10W J
R1229	QRK126J-181X	C R	180Ω 1/2W J
R1231	QRG01GJ-101	OM R	100Ω 1W J
R1232	NRSA02J-101X	MG R	100Ω 1/10W J
R1233	NRSA02J-222X	MG R	2.2kΩ 1/10W J
R1242	NRSA02J-223X	MG R	22kΩ 1/10W J
R1243	NRSA02J-473X	MG R	47kΩ 1/10W J
R1244	NRSA02J-683X	MG R	68kΩ 1/10W J
R1245	NRSA02J-153X	MG R	15kΩ 1/10W J
R1246	NRSA02J-103X	MG R	10kΩ 1/10W J
R1247	NRSA02J-473X	MG R	47kΩ 1/10W J
R1248	NRSA02J-273X	MG R	27kΩ 1/10W J
R1249	NRSA02J-103X	MG R	10kΩ 1/10W J
R1250	NRSA02J-222X	MG R	2.2kΩ 1/10W J
R1251	NRSA02J-333X	MG R	33kΩ 1/10W J
R1252	NRSA02J-222X	MG R	2.2kΩ 1/10W J
R1253	NRSA02J-333X	MG R	33kΩ 1/10W J
R1254	NRSA02J-823X	MG R	82kΩ 1/10W J
R1255	NRSA02J-0R0X	MG R	0.0Ω 1/10W J
R1256	NRSA02J-391X	MG R	390Ω 1/10W J
R1257	NRSA02J-823X	MG R	82kΩ 1/10W J
R1258	NRSA02J-0R0X	MG R	0.0Ω 1/10W J
R1259	NRSA02J-391X	MG R	390Ω 1/10W J
R1260-61	NRSA02J-223X	MG R	22kΩ 1/10W J
R1262	NRSA02J-104X	MG R	100kΩ 1/10W J
R1263	NRSA02J-222X	MG R	2.2kΩ 1/10W J
R1264	NRSA02J-333X	MG R	33kΩ 1/10W J
R1265	NRSA02J-222X	MG R	2.2kΩ 1/10W J
R1266	NRSA02J-333X	MG R	33kΩ 1/10W J
R1267-69	NRSA02J-750X	MG R	75Ω 1/10W J
R1277-79	NRSA02J-750X	MG R	75Ω 1/10W J
R1280	NRSA02J-223X	MG R	22kΩ 1/10W J
R1281	NRSA02J-473X	MG R	47kΩ 1/10W J
R1282	NRSA02J-683X	MG R	68kΩ 1/10W J
R1283	NRSA02J-153X	MG R	15kΩ 1/10W J
R1284	NRSA02J-103X	MG R	10kΩ 1/10W J
R1285	NRSA02J-473X	MG R	47kΩ 1/10W J
R1286	NRSA02J-273X	MG R	27kΩ 1/10W J
R1287	NRSA02J-103X	MG R	10kΩ 1/10W J
R1288	NRSA02J-222X	MG R	2.2kΩ 1/10W J
R1289	NRSA02J-333X	MG R	33kΩ 1/10W J
R1290	NRSA02J-222X	MG R	2.2kΩ 1/10W J
R1291	NRSA02J-333X	MG R	33kΩ 1/10W J
R1292	NRSA02J-271X	MG R	270Ω 1/10W J
R1301	NRSA02J-101X	MG R	100Ω 1/10W J
R1302	NRSA02J-471X	MG R	470Ω 1/10W J
R1303	NRSA02J-101X	MG R	100Ω 1/10W J
R1304	NRSA02J-471X	MG R	470Ω 1/10W J
R1305	NRSA02J-221X	MG R	220Ω 1/10W J
R1306	NRSA02J-271X	MG R	270Ω 1/10W J
R1307	NRSA02J-101X	MG R	100Ω 1/10W J
R1308	NRSA02J-471X	MG R	470Ω 1/10W J
R1309	NRSA02J-101X	MG R	100Ω 1/10W J
R1310	NRSA02J-471X	MG R	470Ω 1/10W J
R1311	NRSA02J-221X	MG R	220Ω 1/10W J
R1312	NRSA02J-271X	MG R	270Ω 1/10W J
R1313	NRSA02J-101X	MG R	100Ω 1/10W J
R1314-15	NRSA02J-471X	MG R	470Ω 1/10W J

△ Symbol No.	Part No.	Part Name	Description
RESISTOR			
R1316	NRSA02J-152X	MG R	1.5kΩ 1/10W J
R1317-18	NRSA02J-101X	MG R	100Ω 1/10W J
R1319	NRSA02J-152X	MG R	1.5kΩ 1/10W J
R1320	NRSA02J-221X	MG R	220Ω 1/10W J
R1321	NRSA02J-102X	MG R	1kΩ 1/10W J
R1323-24	NRSA02J-562X	MG R	5.6kΩ 1/10W J
R1326-29	NRSA02J-152X	MG R	1.5kΩ 1/10W J
R1330	NRSA02J-103X	MG R	10kΩ 1/10W J
R1331	NRSA02J-101X	MG R	100Ω 1/10W J
R1332-33	NRSA02J-471X	MG R	470Ω 1/10W J
R1334-35	NRSA02J-152X	MG R	1.5kΩ 1/10W J
R1336	NRSA02J-101X	MG R	100Ω 1/10W J
R1337	NRSA02J-103X	MG R	10kΩ 1/10W J
R1338-40	NRSA02J-101X	MG R	100Ω 1/10W J
R1341	NRSA02J-183X	MG R	18kΩ 1/10W J
R1342	NRSA02J-823X	MG R	82kΩ 1/10W J
R1343-44	NRSA02J-101X	MG R	100Ω 1/10W J
R1345-46	NRSA02J-103X	MG R	10kΩ 1/10W J
R1347	NRSA02J-562X	MG R	5.6kΩ 1/10W J
R1348	NRSA02J-080X	MG R	0.0Ω 1/10W J
R1349	NRSA02J-152X	MG R	1.5kΩ 1/10W J
R1350	NRSA02J-271X	MG R	270Ω 1/10W J
R1381	NRSA02J-102X	MG R	1kΩ 1/10W J
R1382	NRSA02J-182X	MG R	1.8kΩ 1/10W J
R1383	NRSA02J-123X	MG R	12kΩ 1/10W J
R1384	NRSA02J-683X	MG R	68kΩ 1/10W J
R1385	NRSA02J-273X	MG R	27kΩ 1/10W J
R1386	NRSA02J-102X	MG R	1kΩ 1/10W J
R1387	NRSA02J-683X	MG R	68kΩ 1/10W J
R1388	NRSA02J-273X	MG R	27kΩ 1/10W J
R1389	NRSA02J-102X	MG R	1kΩ 1/10W J
R1390	NRSA02J-683X	MG R	68kΩ 1/10W J
R1391	NRSA02J-273X	MG R	27kΩ 1/10W J
R1392	NRSA02J-102X	MG R	1kΩ 1/10W J
R1395-97	NRSA02J-080X	MG R	0.0Ω 1/10W J
R1398	NRSA02J-101X	MG R	100Ω 1/10W J
R1401-02	NRSA02J-682X	MG R	6.8kΩ 1/10W J
R1403	NRSA02J-222X	MG R	2.2kΩ 1/10W J
R1404	QRX01GJ-1R0	MF R	1.0Ω 1W J
R1405	QRL029J-221	OM R	220Ω 2W J
R1406	NRSA02J-222X	MG R	2.2kΩ 1/10W J
R1407-08	QRX01GJ-1R5	MF R	1.5Ω 1W J
R1409-10	NRSA02J-103X	MG R	10kΩ 1/10W J
R1461	NRSA02J-272X	MG R	2.7kΩ 1/10W J
R1462	NRSA02J-563X	MG R	56kΩ 1/10W J
R1463	NRSA02J-104X	MG R	100kΩ 1/10W J
R1464	NRSA02J-123X	MG R	12kΩ 1/10W J
R1501	NRSA02J-332X	MG R	3.3kΩ 1/10W J
R1551	NRSA02J-100X	MG R	10Ω 1/10W J
R1552	NRSA02J-124X	MG R	120kΩ 1/10W J
R1553	NRSA02J-683X	MG R	68kΩ 1/10W J
R1554	NRSA02J-562X	MG R	5.6kΩ 1/10W J
R1555	NRSA02J-333X	MG R	33kΩ 1/10W J
R1556	NRSA02J-472X	MG R	4.7kΩ 1/10W J
R1557	NRSA02J-562X	MG R	5.6kΩ 1/10W J
R1558	NRSA02J-104X	MG R	100kΩ 1/10W J
R1559	NRSA02J-154X	MG R	150kΩ 1/10W J
R1560	NRSA02J-100X	MG R	10Ω 1/10W J
R1561	QRN143J-080X	C R	0.0Ω 1/4W J
R1611	NRSA02J-331X	MG R	330Ω 1/10W J
R1612	NRSA02J-561X	MG R	560Ω 1/10W J
R1613-14	NRSA02J-123X	MG R	12kΩ 1/10W J
R1615	NRSA02J-681X	MG R	680Ω 1/10W J
R1616	NRSA02J-102X	MG R	1kΩ 1/10W J
R1617-18	NRSA02J-682X	MG R	6.8kΩ 1/10W J
R1619-20	NRSA02J-223X	MG R	22kΩ 1/10W J
R1658-60	QRN143J-2R2X	C R	2.2Ω 1/4W J
R1661	NRSA02J-561X	MG R	560Ω 1/10W J
R1662-64	NRSA02J-223X	MG R	22kΩ 1/10W J
R1665	NRSA02J-104X	MG R	100kΩ 1/10W J
R1666	NRSA02J-682X	MG R	6.8kΩ 1/10W J
R1667	NRSA02J-104X	MG R	100kΩ 1/10W J

△ Symbol No.	Part No.	Part Name	Description
RESISTOR			
R1668	NRSA02J-080X	MG R	0.0Ω 1/10W J
R1669	NRSA02J-473X	MG R	47kΩ 1/10W J
R1670	NRSA02J-080X	MG R	0.0Ω 1/10W J
R1671	NRSA02J-273X	MG R	27kΩ 1/10W J
R1672	NRSA02J-122X	MG R	1.2kΩ 1/10W J
R1673	NRSA02J-103X	MG R	10kΩ 1/10W J
R1674	NRSA02J-563X	MG R	56kΩ 1/10W J
R1675	NRSA02J-103X	MG R	10kΩ 1/10W J
R1676	NRSA02J-273X	MG R	27kΩ 1/10W J
R1677	NRSA02J-103X	MG R	10kΩ 1/10W J
R1678	NRSA02J-563X	MG R	56kΩ 1/10W J
R1679	NRSA02J-103X	MG R	10kΩ 1/10W J
R1680	NRSA02J-273X	MG R	27kΩ 1/10W J
R1682	NRSA02J-103X	MG R	10kΩ 1/10W J
R1683	NRSA02J-562X	MG R	5.6kΩ 1/10W J
R1684	NRSA02J-473X	MG R	47kΩ 1/10W J
R1689-90	NRSA02J-103X	MG R	10kΩ 1/10W J
R1691-92	NRSA02J-123X	MG R	12kΩ 1/10W J
R1693-94	NRSA02J-103X	MG R	10kΩ 1/10W J
R1700	NRSA02J-080X	MG R	0.0Ω 1/10W J
R1701	NRSA02J-104X	MG R	100kΩ 1/10W J
R1702	NRSA02J-823X	MG R	82kΩ 1/10W J
R1703-06	NRSA02J-102X	MG R	1kΩ 1/10W J
R1707	NRSA02J-103X	MG R	10kΩ 1/10W J
R1708	NRSA02J-102X	MG R	1kΩ 1/10W J
R1709	NRSA02J-103X	MG R	10kΩ 1/10W J
R1710	NRSA02J-821X	MG R	820Ω 1/10W J
R1711	NRSA02J-102X	MG R	1kΩ 1/10W J
R1713-14	NRSA02J-103X	MG R	10kΩ 1/10W J
R1716	NRSA02J-103X	MG R	10kΩ 1/10W J
R1718	NRSA02J-102X	MG R	1kΩ 1/10W J
R1719	NRSA02J-101X	MG R	100Ω 1/10W J
R1720	NRSA02J-102X	MG R	1kΩ 1/10W J
R1721-23	NRSA02J-472X	MG R	4.7kΩ 1/10W J
R1724-26	NRSA02J-821X	MG R	820Ω 1/10W J
R1727	NRSA02J-153X	MG R	15kΩ 1/10W J
R1728	NRSA02J-103X	MG R	10kΩ 1/10W J
R1729	NRSA02J-683X	MG R	68kΩ 1/10W J
R1730	NRSA02J-223X	MG R	22kΩ 1/10W J
R1731	NRSA02J-562X	MG R	5.6kΩ 1/10W J
R1732	NRSA02J-103X	MG R	10kΩ 1/10W J
R1733	NRSA02J-222X	MG R	2.2kΩ 1/10W J
R1734	NRSA02J-103X	MG R	10kΩ 1/10W J
R1735-36	NRSA02J-682X	MG R	6.8kΩ 1/10W J
R1737	NRSA02J-102X	MG R	1kΩ 1/10W J
R1738	NRSA02J-183X	MG R	18kΩ 1/10W J
R1739	NRSA02J-331X	MG R	330Ω 1/10W J
R1740-42	NRSA02J-103X	MG R	10kΩ 1/10W J
R1743	NRSA02J-222X	MG R	2.2kΩ 1/10W J
R1744-46	NRSA02J-103X	MG R	10kΩ 1/10W J
R1747	NRSA02J-102X	MG R	1kΩ 1/10W J
R1748	NRSA02J-103X	MG R	10kΩ 1/10W J
R1751-52	NRSA02J-103X	MG R	10kΩ 1/10W J
R1753	NRSA02J-472X	MG R	4.7kΩ 1/10W J
R1754	NRSA02J-103X	MG R	10kΩ 1/10W J
R1755	NRSA02J-472X	MG R	4.7kΩ 1/10W J
R1756-57	NRSA02J-103X	MG R	10kΩ 1/10W J
R1758-59	NRSA02J-221X	MG R	220Ω 1/10W J
R1760	NRSA02J-102X	MG R	1kΩ 1/10W J
R1761-65	NRSA02J-221X	MG R	220Ω 1/10W J
R1766	NRSA02J-103X	MG R	10kΩ 1/10W J
R1767	NRSA02J-104X	MG R	100kΩ 1/10W J
R1768	NRSA02J-823X	MG R	82kΩ 1/10W J
R1770	NRSA02J-103X	MG R	10kΩ 1/10W J
R1771	NRSA02J-392X	MG R	3.9kΩ 1/10W J
R1772-74	NRSA02J-103X	MG R	10kΩ 1/10W J
R1775-76	NRSA02J-563X	MG R	56kΩ 1/10W J
R1777	NRSA02J-223X	MG R	22kΩ 1/10W J
R1778	NRSA02J-103X	MG R	10kΩ 1/10W J
R1779	NRSA02J-333X	MG R	33kΩ 1/10W J
R1780	NRSA02J-104X	MG R	100kΩ 1/10W J
R1782	NRSA02J-080X	MG R	0.0Ω 1/10W J

△ Symbol No.	Part No.	Part Name	Description
RESISTOR			
R1784-86	NRSA02J-333X	MG R	33kΩ 1/10W J
R1787	NRSA02J-103X	MG R	10kΩ 1/10W J
R1788	NRSA02J-123X	MG R	12kΩ 1/10W J
R1789	NRSA02J-0R0X	MG R	0.0Ω 1/10W J
R1791	NRSA02J-103X	MG R	10kΩ 1/10W J
R1792	NRSA02J-0R0X	MG R	0.0Ω 1/10W J
R1793	NRSA02J-102X	MG R	1kΩ 1/10W J
R1794	NRSA02J-152X	MG R	1.5kΩ 1/10W J
R1795	NRSA02J-102X	MG R	1kΩ 1/10W J
R1796	NRSA02J-103X	MG R	10kΩ 1/10W J
R1797	NRSA02J-102X	MG R	1kΩ 1/10W J
R1820	NRSA02J-332X	MG R	3.3kΩ 1/10W J
R1880-82	NRSA02J-102X	MG R	1kΩ 1/10W J
R1883	NRSA02J-473X	MG R	47kΩ 1/10W J
R1884-86	NRSA02J-103X	MG R	10kΩ 1/10W J
R1888-89	NRSA02J-103X	MG R	10kΩ 1/10W J
R1890	NRSA02J-221X	MG R	220Ω 1/10W J
R1891	NRSA02J-273X	MG R	27kΩ 1/10W J
R1892-96	NRSA02J-221X	MG R	220Ω 1/10W J
R1897	QRG029J-220	OM R	22 Ω 2W J
R1901	NRSA02J-101X	MG R	100Ω 1/10W J
R1902	NRSA02J-223X	MG R	22kΩ 1/10W J
R1903	NRSA02J-472X	MG R	4.7kΩ 1/10W J
R1904	NRSA02J-223X	MG R	22kΩ 1/10W J
R1905	NRSA02J-102X	MG R	1kΩ 1/10W J
CAPACITOR			
C1001	NCB21HK-104X	CHIP CAP.	0.1μF 50V K
C1002	QETN1HM-107Z	E CAP.	100μF 50V M
C1003	NCB21HK-104X	CHIP CAP.	0.1μF 50V K
C1004	QETN1CM-107Z	E CAP.	100μF 16V M
C1007	NCB21HK-222X	C CAP.	2200pF 50V K
C1008	QETN1HM-106Z	E CAP.	10μF 50V M
C1101-02	QETN1CM-107Z	E CAP.	100μF 16V M
C1104	QETN1EM-476Z	E CAP.	47μF 25V M
C1105	QENC1HM-474Z	BP E CAP.	0.47μF 50V M
C1106	QETN1HM-106Z	E CAP.	10μF 50V M
C1107	QETN1AM-227Z	E CAP.	220μF 10V M
C1121-22	NCB21HK-103X	C CAP.	0.01μF 50V K
C1123	QETN1EM-476Z	E CAP.	47μF 25V M
C1124-25	NCB21HK-103X	C CAP.	0.01μF 50V K
C1128	QETN1CM-107Z	E CAP.	100μF 16V M
C1129	QETN1EM-476Z	E CAP.	47μF 25V M
C1130	NCB21HK-103X	C CAP.	0.01μF 50V K
C1131	QETN1EM-476Z	E CAP.	47μF 25V M
C1132	NCB21HK-103X	C CAP.	0.01μF 50V K
C1134	NCB21HK-103X	C CAP.	0.01μF 50V K
C1135	NDC21HJ-181X	C CAP.	180pF 50V J
C1136-39	NCB21HK-103X	C CAP.	0.01μF 50V K
C1140	QETN1EM-476Z	E CAP.	47μF 25V M
C1141	NCB21HK-103X	C CAP.	0.01μF 50V K
C1151	QETN1AM-227Z	E CAP.	220μF 10V M
C1152	NCB21HK-103X	C CAP.	0.01μF 50V K
C1153	QETN1AM-107Z	E CAP.	100μF 10V M
C1154	NDC21HJ-121X	C CAP.	120pF 50V J
C1155	QETN1EM-476Z	E CAP.	47μF 25V M
C1161	QETN1EM-476Z	E CAP.	47μF 25V M
C1163	QETN1EM-476Z	E CAP.	47μF 25V M
C1171	NDC21HJ-221X	C CAP.	220pF 50V J
C1172	NDC21HJ-560X	C CAP.	56pF 50V J
C1173	NDC21HJ-221X	C CAP.	220pF 50V J
C1174	NDC21HJ-121X	C CAP.	120pF 50V J
C1192	QETN1CM-227Z	E CAP.	220μF 16V M
C1193	NCB21HK-103X	C CAP.	0.01μF 50V K
C1201	QETN1CM-227Z	E CAP.	220μF 16V M
C1202	NCB21HK-102X	C CAP.	1000pF 50V K
C1203-04	QETN1HM-105Z	E CAP.	1μF 50V M
C1205-06	QETN1HM-106Z	E CAP.	10μF 50V M
C1207	QETN1CM-227Z	E CAP.	220μF 16V M
C1211	NCB21HK-102X	C CAP.	1000pF 50V K

△ Symbol No.	Part No.	Part Name	Description
CAPACITOR			
C1212-13	QETN1HM-105Z	E CAP.	1μF 50V M
C1214-15	QETN1HM-106Z	E CAP.	10μF 50V M
C1216-17	QETN1HM-105Z	E CAP.	1μF 50V M
C1218-19	QETN1EM-476Z	E CAP.	47μF 25V M
C1220	QETN1HM-105Z	E CAP.	1μF 50V M
C1221-22	QETN1CM-107Z	E CAP.	100μF 16V M
C1223-24	QETN1HM-105Z	E CAP.	1μF 50V M
C1231-33	QETN1EM-476Z	E CAP.	47μF 25V M
C1234	NCB21HK-102X	C CAP.	1000pF 50V K
C1301	QETN1CM-227Z	E CAP.	220μF 16V M
C1302	NCB21HK-104X	CHIP CAP.	0.1μF 50V K
C1303	QETN1EM-476Z	E CAP.	47μF 25V M
C1304	QENC1CM-476Z	BP E CAP.	47μF 16V M
C1305	QETN1HM-226Z	E CAP.	22μF 50V M
C1306	NCB21HK-223X	C CAP.	0.022μF 50V K
C1307-08	QENC1HM-105Z	BP E CAP.	1μF 50V M
C1309	NDC21HJ-390X	C CAP.	39pF 50V J
C1311-13	NCB21HK-104X	CHIP CAP.	0.1μF 50V K
C1314	NCB21HK-222X	C CAP.	2200pF 50V K
C1315	NCB21CK-474X	C CAP.	0.47μF 16V K
C1316	NCB21HK-104X	CHIP CAP.	0.1μF 50V K
C1317	NCB21EK-154X	C CAP.	0.15μF 25V K
C1318	NCB21HK-104X	CHIP CAP.	0.1μF 50V K
C1319	NCB21HK-332X	C CAP.	3300pF 50V K
C1320	NCB21HK-104X	CHIP CAP.	0.1μF 50V K
C1321-22	NDC21HJ-150X	C CAP.	15pF 50V J
C1323	NCB21HK-104X	CHIP CAP.	0.1μF 50V K
C1325-26	NCB21HK-104X	CHIP CAP.	0.1μF 50V K
C1327	QETN1CM-227Z	E CAP.	220μF 16V M
C1328-32	NCB21HK-104X	CHIP CAP.	0.1μF 50V K
C1342-44	NDC21HJ-220X	C CAP.	22pF 50V J
C1345	NDC21HJ-121X	C CAP.	120pF 50V J
C1363-65	QETN1HM-106Z	E CAP.	10μF 50V M
C1381-84	QETN1EM-476Z	E CAP.	47μF 25V M
C1387-88	QETN1EM-476Z	E CAP.	47μF 25V M
C1389-90	QETN0JM-228Z	E CAP.	2200pF 6.3V M
C1392	NDC21HJ-680X	C CAP.	68pF 50V J
C1396-98	NCB21HK-104X	CHIP CAP.	0.1μF 50V K
C1403	QFLC2AJ-104Z	M CAP.	0.1μF 100V J
C1404	NCB21HK-104X	CHIP CAP.	0.1μF 50V K
C1405	NDC21HJ-820X	C CAP.	82pF 50V J
C1406	QETN1VM-108	E CAP.	1000μF 35V M
C1408	QETN1VM-337Z	E CAP.	330μF 35V M
C1409-10	QFV71HJ-474Z	MF CAP.	0.47μF 50V J
C1412	QFLC2AJ-104Z	M CAP.	0.1μF 100V J
C1417-18	QETN1CM-108Z	E CAP.	1000μF 16V M
C1419	NCB21HK-682X	C CAP.	6800pF 50V K
C1461	QETN1HM-226Z	E CAP.	22μF 50V M
C1551-52	NCB21CK-224X	C CAP.	0.22μF 16V K
C1553	QETN1EM-476Z	E CAP.	47μF 25V M
C1554-55	NCB21CK-224X	C CAP.	0.22μF 16V K
C1601-02	QDC31HJ-2R0Z	C CAP.	2.0pF 50V J
C1603-04	NCB21HK-103X	C CAP.	0.01μF 50V K
C1605-06	QETN1HM-106Z	E CAP.	10μF 50V M
C1607-08	NCF21EZ-104X	C CAP.	0.1μF 25V Z
C1609-12	QETN1HM-105Z	E CAP.	1μF 50V M
C1613-14	NDC21HJ-471X	C CAP.	470pF 50V J
C1615	NCF21EZ-104X	C CAP.	0.1μF 25V Z
C1616-18	QETN1HM-106Z	E CAP.	10μF 50V M
C1619	NCF21EZ-104X	C CAP.	0.1μF 25V Z
C1620	QETN1HM-106Z	E CAP.	10μF 50V M
C1621-24	NCB21HK-102X	C CAP.	1000pF 50V K
C1625-26	NDC21HJ-391X	C CAP.	390pF 50V J
C1627-28	NCB21HK-102X	C CAP.	1000pF 50V K
C1629	NCB21HK-103X	C CAP.	0.01μF 50V K
C1630	NCF21EZ-104X	C CAP.	0.1μF 25V Z
C1631	QETN1CM-107Z	E CAP.	100μF 16V M
C1632	NCF21EZ-104X	C CAP.	0.1μF 25V Z
C1644-45	NDC21HJ-470X	C CAP.	47pF 50V J
C1646	NDC21HJ-820X	C CAP.	82pF 50V J
C1647	NCB21HK-472X	C CAP.	4700pF 50V K
C1648	NDC21HJ-180X	C CAP.	18pF 50V J
C1651-53	QETN1HM-105Z	E CAP.	1μF 50V M

Symbol No.	Part No.	Part Name	Description
CAPACITOR			
C1654	QETN1HM-107Z	E CAP.	100µF 50V M
C1655	QETN1HM-106Z	E CAP.	10µF 50V M
C1656-57	NCF21HZ-224X	C CAP.	0.22µF 50V Z
C1658	QETM1HM-228	E CAP.	2200µF 50V M
C1659-62	NCF21HZ-224X	C CAP.	0.22µF 50V Z
C1663-65	QETM1VM-108	E CAP.	1000µF 35V M
C1667	QETN1CM-227Z	E CAP.	220µF 16V M
C1668-69	QETN1HM-105Z	E CAP.	1µF 50V M
C1670	QETN1HM-106Z	E CAP.	10µF 50V M
C1671	QETN1EM-476Z	E CAP.	47µF 25V M
C1672	NDC21HJ-100X	C CAP.	10pF 50V J
C1673	QETN1HM-105Z	E CAP.	1µF 50V M
C1674	NDC21HJ-100X	C CAP.	10pF 50V J
C1675	QETN1HM-105Z	E CAP.	1µF 50V M
C1679	QETN1HM-106Z	E CAP.	10µF 50V M
C1680-81	NDC21HJ-221X	C CAP.	220pF 50V J
C1682	QETN1CM-227Z	E CAP.	220µF 16V M
C1701	NDC21HJ-471X	C CAP.	470pF 50V J
C1702	NCB21HK-682X	C CAP.	6800pF 50V K
C1703	NCB21HK-104X	CHIP CAP.	0.1µF 50V K
C1704	QETN1AM-107Z	E CAP.	100µF 10V M
C1705-06	NDC21HJ-9R0X	C CAP.	9.0pF 50V J
C1707	NCB21HK-104X	CHIP CAP.	0.1µF 50V K
C1708	NCB21HK-333X	C CAP.	0.033µF 50V K
C1709	NCB21HK-104X	CHIP CAP.	0.1µF 50V K
C1710	QETN1EM-476Z	E CAP.	47µF 25V M
C1711	NCB21HK-104X	CHIP CAP.	0.1µF 50V K
C1712	NCB21HK-333X	C CAP.	0.033µF 50V K
C1713	NCB21HK-104X	CHIP CAP.	0.1µF 50V K
C1714	QETN1HM-474Z	E CAP.	0.47µF 50V M
C1715	QETN1EM-476Z	E CAP.	47µF 25V M
C1717	QETN1HM-106Z	E CAP.	10µF 50V M
C1718	NDC21HJ-471X	C CAP.	470pF 50V J
C1719	NCF21CZ-105X	C CAP.	1µF 16V Z
C1720	NCB21HK-102X	C CAP.	1000pF 50V K
C1757	NCS21HJ-471X	C CAP.	470pF 50V J
C1758	QETN1AM-227Z	E CAP.	220µF 10V M
C1759	NCB21HK-104X	CHIP CAP.	0.1µF 50V K
C1760-61	NDC21HJ-150X	C CAP.	15pF 50V J
C1762	NCB21HK-104X	CHIP CAP.	0.1µF 50V K
C1763	QETN1EM-476Z	E CAP.	47µF 25V M
C1764	NCB21HK-104X	CHIP CAP.	0.1µF 50V K
C1766-68	NCB21HK-104X	CHIP CAP.	0.1µF 50V K
C1769-71	QETN1HM-106Z	E CAP.	10µF 50V M
C1772	QETN1EM-476Z	E CAP.	47µF 25V M
C1773	QETN1CM-107Z	E CAP.	100µF 16V M
C1774	NDC21HJ-151X	C CAP.	150pF 50V J
C1780	NCB21HK-104X	CHIP CAP.	0.1µF 50V K
C1781	NDC21HJ-101X	C CAP.	100pF 50V J
C1782	NCB21HK-102X	C CAP.	1000pF 50V K
C1783	NDC21HJ-151X	C CAP.	150pF 50V J
C1784	QETN1CM-227Z	E CAP.	220µF 16V M
C1785	NCB21HK-102X	C CAP.	1000pF 50V K
C1901	QETN1CM-107Z	E CAP.	100µF 16V M
C1902	QETN1HM-106Z	E CAP.	10µF 50V M
TRANSFORMER			
T1101	CE42697-001	LOWPASS FILTER	
T1111	CE42697-001	LOWPASS FILTER	
T1121	CE42697-001	LOWPASS FILTER	
COIL			
L1001-02	QQL01BK-8R2Z	PEAKING COIL	8.2µH
L1004	QQL01BK-5R6Z	PEAKING COIL	5.6µH
L1101	QRN143J-OR0X	C R	0.0Ω 1/4W J
L1102-05	QQL03BJ-220Z	PEAKING COIL	22µH
L1111	QQL03BJ-220Z	PEAKING COIL	22µH
L1121	QQL03BJ-330Z	PEAKING COIL	33µH
L1302	NQL024J-5R6X	COIL	5.6µH
L1601-02	QRN143J-OR0X	C R	0.0Ω 1/4W J

Symbol No.	Part No.	Part Name	Description
COIL			
L1604	QQL01BJ-180Z	PEAKING COIL	18µH
L1605	QQL01BJ-220Z	PEAKING COIL	22µH
L1701	QQL01BK-4R7Z	PEAKING COIL	4.7µH
L1702	QQL01BK-3R9Z	PEAKING COIL	3.9µH
L1752	QRN143J-OR0X	C R	0.0Ω 1/4W J
L1753	QQL01BK-4R7Z	PEAKING COIL	4.7µH
DIODE			
D1201-11	MA3130/H/-X	ZENER DIODE	
D1214-15	MA3130/H/-X	ZENER DIODE	
D1402	BYD33D-T3	SI DIODE	
D1403-04	MA3330/L/-X	ZENER DIODE	
D1461	MA111-X	SI DIODE	
D1462	MA3220/M/-X	ZENER DIODE	
D1502	MA111-X	SI DIODE	
D1504	MA111-X	SI DIODE	
D1653-55	MA3330/L/-X	ZENER DIODE	
D1658	MA153A-X	SI DIODE	
D1660	MA111-X	SI DIODE	
D1661	MA153A-X	SI DIODE	
D1664-65	MA111-X	SI DIODE	
D1666	MA3062/M/-X	ZENER DIODE	
D1667-68	MA3150/M/-X	ZENER DIODE	
D1701-02	MA111-X	SI DIODE	
D1704	1S5244-T2	SI DIODE	
D1708	MA111-X	SI DIODE	
D1709	MA3068/M/-X	ZENER DIODE	
D1712	MA111-X	SI DIODE	
D1751-53	MA111-X	SI DIODE	
D1754	MA3062/M/-X	ZENER DIODE	
D1771-74	MA3056/M/-X	ZENER DIODE	
D1901	MA3130/H/-X	ZENER DIODE	
TRANSISTOR			
Q1101-04	2SC2412K/QR/-X	SI TRANSISTOR	
Q1111	2SC2412K/QR/-X	SI TRANSISTOR	
Q1112	2SA1037AK/QR/-X	SI TRANSISTOR	
Q1113-14	2SC2412K/QR/-X	SI TRANSISTOR	
Q1121	2SC2412K/QR/-X	SI TRANSISTOR	
Q1122	2SA1037AK/QR/-X	SI TRANSISTOR	
Q1123-24	2SC2412K/QR/-X	SI TRANSISTOR	
Q1131-32	2SC2412K/QR/-X	SI TRANSISTOR	
Q1201-02	2SC2712/YG/-X	SI TRANSISTOR	
Q1203	2SC1815/YG/-T	SI TRANSISTOR	
Q1204-05	2SC2712/YG/-X	SI TRANSISTOR	
Q1206-07	DTC323TK-X	DIGI. TRANSISTOR	
Q1208	2SA1162/YG/-X	SI TRANSISTOR	
Q1209	2SA1015/YG/-T	SI TRANSISTOR	
Q1211	2SA1162/YG/-X	SI TRANSISTOR	
Q1213-14	2SC2712/YG/-X	SI TRANSISTOR	
Q1215-16	DTC323TK-X	DIGI. TRANSISTOR	
Q1217	2SA1162/YG/-X	SI TRANSISTOR	
Q1220-21	2SC2712/YG/-X	SI TRANSISTOR	
Q1301	2SA1162/YG/-X	SI TRANSISTOR	
Q1303-04	2SA1162/YG/-X	SI TRANSISTOR	
Q1305	2SC2712/YG/-X	SI TRANSISTOR	
Q1346	2SC2712/YG/-X	SI TRANSISTOR	
Q1351	DTC124EKA-X	DIGI. TRANSISTOR	
Q1381-83	2SC2712/YG/-X	SI TRANSISTOR	
Q1461-62	2SC2712/YG/-X	SI TRANSISTOR	
Q1603	2SC2712/YG/-X	SI TRANSISTOR	
Q1654-56	DTC323TK-X	DIGI. TRANSISTOR	
Q1657	2SC2712/YG/-X	SI TRANSISTOR	
Q1658-60	2SA1162/YG/-X	SI TRANSISTOR	
Q1701-08	2SC2712/YG/-X	SI TRANSISTOR	
Q1709	2SA1162/YG/-X	SI TRANSISTOR	
Q1752	2SA1162/YG/-X	SI TRANSISTOR	
Q1753	DTC124EKA-X	DIGI. TRANSISTOR	
Q1901	2SA1162/YG/-X	SI TRANSISTOR	
Q1902	2SC2712/YG/-X	SI TRANSISTOR	

Symbol No.	Part No.	Part Name	Description
I C			
IC1101	TC9090AN	I. C. (DIGI-MOS)	
IC1301	CXA1545AS	I. C. (MONO-ANA)	
IC1302	LA7222	I. C. (MONO-ANA)	
IC1303	TDA9143/N3	I. C. (MONO-ANA)	
IC1304	TDA4665/V5	I. C. (MONO-ANA)	
IC1305	LA7016	I. C. (MONO-ANA)	
IC1401	LA7841	I. C. (MONO-ANA)	
IC1551	LA6515	I. C. (MONO-ANA)	
IC1601	MSP3410D-PP-C5	I. C. (DIGI-OTHER)	
IC1651	TA8256BH	I. C. (HYBRID)	
IC1652	BA4558F-X	I. C. (MONO-ANA)	
IC1701	M37280MK-120SP	I. C. (MICRO-COMP)	
IC1702	L78LR05E-MA	I. C. (MONO-ANA)	
IC1703	AT24C1632WFP1	I. C.	(SERVICE)
IC1754	SDA5275S	I. C. (MICRO-PROC)	
IC1755	MSM514400D-60Z5	I. C. (D-RAM)	
IC1756	TC4053BP/N/	I. C. (DIGI-MOS)	

OTHERS

CN1002	QGF1220C2-25	FFC/FPC CONNECTO	
K1001	QRN143J-OROX	C R	0.0Ω 1/4W J
K1009	QRN143J-OROX	C R	0.0Ω 1/4W J
K1101	QQR0621-002Z	BEADS CORE	
K1401	QQR0621-002Z	BEADS CORE	
K1701	QQR0621-002Z	BEADS CORE	
LC1101	TA78L005AP-T	I. C. (H)	
LC1601	CE42142-103Z	EMI FILTER	
TU1001	QAU0132-001	TUNER	
W1001-02	NRSA02J-OROX	MG R	0.0Ω 1/10W J
X1311	CE40749-001Z	CRYSTAL	
X1312	CE40668-001Z	CRYSTAL	
X1601	CE42546-001Z	CRYSTAL	
X1701	CST8.00MTW	CER. RESONATOR	
X1752	QAX0351-001Z	CRYSTAL	
Y1306	NRSA02J-OROX	MG R	0.0Ω 1/10W J
Y1312-13	NRSA02J-OROX	MG R	0.0Ω 1/10W J
Y1314	NRSA02J-682X	MG R	6.8kΩ 1/10W J
Y1315-17	NRSA02J-OROX	MG R	0.0Ω 1/10W J
Y1328	NRSA02J-OROX	MG R	0.0Ω 1/10W J
Y1401	NRSA02J-OROX	MG R	0.0Ω 1/10W J
Y1502-05	NRSA02J-OROX	MG R	0.0Ω 1/10W J
Y1651-52	NRSA02J-OROX	MG R	0.0Ω 1/10W J
Y1654	NRSA02J-OROX	MG R	0.0Ω 1/10W J
Y1659-60	NRSA02J-OROX	MG R	0.0Ω 1/10W J
Y1750-51	NRSA02J-OROX	MG R	0.0Ω 1/10W J

POWER / DEF PW BOARD ASS'Y (SMD-2008A-U2)

Refer to PARTS LIST in page 14 for this P.W. board.

CRT SOCKET PW BOARD ASS'Y (SMD-3005A-U2)

Refer to PARTS LIST in page 16 for this P.W. board.

AUDIO PW BOARD ASS'Y (SMD-6001A-U2)

Refer to PARTS LIST in page 17 for this P.W. board.

FRONT CONTROL PW BOARD ASSAY (SMD-8008A-U2)

Refer to PARTS LIST in page 17 for this P.W. board.

DOLBY PW BOARD ASSAY (SMD0D001A-U2)

Refer to PARTS LIST in page 18 for this P.W. board.

IF PW BOARD ASSAY (SMD0F903A-U2)

Symbol No.	Part No.	Part Name	Description
RESISTOR			
R0020	NRSA02J-472X	MG R	4.7kΩ 1/10W J
R0021	NRSA02J-122X	MG R	1.2kΩ 1/10W J
R0022	NRSA02J-331X	MG R	330Ω 1/10W J
R0023	NRSA02J-680X	MG R	680Ω 1/10W J
R0024	NRSA02J-330X	MG R	330Ω 1/10W J
R0030-31	NRSA02J-150X	MG R	150Ω 1/10W J
R0057	NRSA02J-472X	MG R	4.7kΩ 1/10W J
R0058-59	NRSA02J-273X	MG R	27kΩ 1/10W J
R0063	NRSA02J-822X	MG R	8.2kΩ 1/10W J
R0064	NRSA02J-OROX	MG R	0.0Ω 1/10W J
R0065	NRSA02J-470X	MG R	470Ω 1/10W J
R0070-71	NRSA02J-393X	MG R	39kΩ 1/10W J
R0080-81	NRSA02J-473X	MG R	47kΩ 1/10W J
R0082	NRSA02J-272X	MG R	2.7kΩ 1/10W J
R0101	NRSA02J-822X	MG R	8.2kΩ 1/10W J
R0102	NRSA02J-471X	MG R	470Ω 1/10W J
R0108	NRSA02J-102X	MG R	1kΩ 1/10W J
R0109	NRSA02J-121X	MG R	120Ω 1/10W J
R0111-12	NRSA02J-151X	MG R	150Ω 1/10W J
R0113	NRSA02J-271X	MG R	270Ω 1/10W J
R0114	NRSA02J-OROX	MG R	0.0Ω 1/10W J
R0116	NRSA02J-102X	MG R	1kΩ 1/10W J
R0140	NRSA02J-474X	MG R	470kΩ 1/10W J
R0141	NRSA02J-101X	MG R	100Ω 1/10W J
R0142	NRSA02J-391X	MG R	390Ω 1/10W J
R0143	NRSA02J-750X	MG R	750Ω 1/10W J
R0144	NRSA02J-474X	MG R	470kΩ 1/10W J
R0145	NRSA02J-332X	MG R	3.3kΩ 1/10W J
R0146	NRSA02J-104X	MG R	100kΩ 1/10W J
CAPACITOR			
C0020-23	NCB21HK-472X	C CAP.	4700pF 50V K
C0030	NCB21HK-472X	C CAP.	4700pF 50V K

△ Symbol No.	Part No.	Part Name	Description
CAPACITOR			
C0020-23	NCB21HK-472X	C CAP.	4700pF 50V K
C0030	NCB21HK-472X	C CAP.	4700pF 50V K
C0040	NCB21HK-682X	C CAP.	6800pF 50V K
C0041	QETN1CM-107Z	E CAP.	100μF 16V M
C0042	NCB21HK-103X	C CAP.	0.01μF 50V K
C0043	QETN1CM-107Z	E CAP.	100μF 16V M
C0044	NCB21HK-103X	C CAP.	0.01μF 50V K
C0045-46	NRSA02J-0ROX	MG R	0.0Ω 1/10W J
C0047	QETN1CM-227Z	E CAP.	220μF 16V M
C0048	NCB21HK-103X	C CAP.	0.01μF 50V K
C0050	QETN1HM-105Z	E CAP.	1μF 50V M
C0054	NCB21HK-103X	C CAP.	0.01μF 50V K
C0055	QETN1CM-107Z	E CAP.	100μF 16V M
C0056	QETN1HM-474Z	E CAP.	0.47μF 50V M
C0057	NDC21HJ-102X	C CAP.	1000pF 50V J
C0058	NCB21HK-472X	C CAP.	4700pF 50V K
C0060	NRSA02J-0ROX	MG R	0.0Ω 1/10W J
C0062	QETN1HM-474Z	E CAP.	0.47μF 50V M
C0063	NRSA02J-0ROX	MG R	0.0Ω 1/10W J
C0064	NCB21HK-472X	C CAP.	4700pF 50V K
C0065	QETN1HM-105Z	E CAP.	1μF 50V M
C0069-70	NCB21HK-103X	C CAP.	0.01μF 50V K
C0071	QETN1HM-336Z	E CAP.	33μF 50V
C0080-81	NCB21HK-472X	C CAP.	4700pF 50V K
C0101	QETN1CM-476Z	E CAP.	47μF 16V M
C0104	NDC21HJ-271X	C CAP.	270pF 50V J
C0105	NCB21HK-103X	C CAP.	0.01μF 50V K
C0140	QETN1HM-335Z	E CAP.	3.3μF 50V M
C0141	NDC21HJ-561X	C CAP.	560pF 50V J
C0142	QETN1HM-105Z	E CAP.	1μF 50V M
C0143	QFLC1HJ-683Z	M CAP.	0.068μF 50V J
C0144	QETN1HM-335Z	E CAP.	3.3μF 50V M
C0145	NCB21HK-222X	C CAP.	2200pF 50V K
TRANSFORMER			
T0020	QQR0626-001	I. F. TRANSF.	
T0050	CEL T001-307	C. WAVE TRANSF.	
COIL			
L0020	QQLZ014-R47	PEAKING COIL	0.47μH
L0021	NQL011K-1R5X	COIL	1.5μH
L0030	NQL011K-2R2X	COIL	2.2μH
L0040	NQL024J-120X	COIL	12μH
L0042	NQL024J-330X	COIL	33μH
L0054	NQL024J-330X	COIL	33μH
L0070	NQL011K-5R6X	COIL	5.6μH
L0103-04	NQL011K-8R2X	COIL	8.2μH
TRANSISTOR			
Q0012	2SC5083/L-P/-T	SI. TRANSISTOR	
Q0080	2SC2712/YG/-X	SI. TRANSISTOR	
Q0101	2SC2712/YG/-X	SI. TRANSISTOR	
Q0107	2SA1162/YG/-X	SI. TRANSISTOR	
Q0109-10	2SC2712/YG/-X	SI. TRANSISTOR	
IC			
IC0010	TA8865BN	I. C. (MONO-ANA)	
OTHERS			
CF0010-11	QAX0620-001	C TRAP	
CF0100	TPSH6.0MB	CERAMIC FILTER	
CF0140	CSB503F30-T2	CER. RESONATOR	
SF0010	QAX0315-001	SAW FILTER	
SF0012	QAX0618-001	SAW FILTER	
W0008	NRSA02J-0ROX	MG R	0.0Ω 1/10W J
W0013	NRSA02J-0ROX	MG R	0.0Ω 1/10W J
W0025	NRSA02J-0ROX	MG R	0.0Ω 1/10W J

△ Symbol No.	Part No.	Part Name	Description
OTHERS			
W0028-29	NRSA02J-0ROX	MG R	0.0Ω 1/10W J
W0031-32	NRSA02J-0ROX	MG R	0.0Ω 1/10W J
W0036	NRSA02J-0ROX	MG R	0.0Ω 1/10W J
W0074	NRSA02J-0ROX	MG R	0.0Ω 1/10W J
W0094-96	NRSA02J-0ROX	MG R	0.0Ω 1/10W J
W0098	NRSA02J-0ROX	MG R	0.0Ω 1/10W J
Y0002-04	NRSA02J-0ROX	MG R	0.0Ω 1/10W J

AV TERMINAL PW BOARD ASS'Y (SMD0J001A-U2)
 Refer to PARTS LIST in page 21 for this P.W. board.

PIP PW BOARD ASS'Y (SMD0P901A-U2)

△ Symbol No.	Part No.	Part Name	Description
RESISTOR			
R0002	NRSA02J-104X	MG R	100kΩ 1/10W J
R0003-06	NRSA02J-102X	MG R	1kΩ 1/10W J
R0100	NRSA02J-472X	MG R	4.7kΩ 1/10W J
R0101	NRSA02J-122X	MG R	1.2kΩ 1/10W J
R0102	NRSA02J-331X	MG R	330Ω 1/10W J
R0103	NRSA02J-680X	MG R	68Ω 1/10W J
R0104	NRSA02J-330X	MG R	33Ω 1/10W J
R0113	NRSA02J-332X	MG R	3.3kΩ 1/10W J
R0114	NRSA02J-474X	MG R	470kΩ 1/10W J
R0115	NRSA02J-750X	MG R	75Ω 1/10W J
R0116	NRSA02J-101X	MG R	100Ω 1/10W J
R0117	NRSA02J-391X	MG R	390Ω 1/10W J
R0118	NRSA02J-474X	MG R	470kΩ 1/10W J
R0119	NRSA02J-471X	MG R	470Ω 1/10W J
R0120	NRSA02J-562X	MG R	5.6kΩ 1/10W J
R0121	NRSA02J-822X	MG R	8.2kΩ 1/10W J
R0123	NRSA02J-470X	MG R	47Ω 1/10W J
R0126-27	NRSA02J-150X	MG R	15Ω 1/10W J
R0131-32	NRSA02J-393X	MG R	39kΩ 1/10W J
R0133	NRSA02J-273X	MG R	27kΩ 1/10W J
R0134	NRSA02J-222X	MG R	2.2kΩ 1/10W J
R0135	NRSA02J-273X	MG R	27kΩ 1/10W J
R0138-39	NRSA02J-473X	MG R	47kΩ 1/10W J
R0140	NRSA02J-272X	MG R	2.7kΩ 1/10W J
R0141	NRSA02J-104X	MG R	100kΩ 1/10W J
R0144	NRSA02J-103X	MG R	10kΩ 1/10W J
R0145	NRSA02J-332X	MG R	3.3kΩ 1/10W J
R0146	NRSA02J-222X	MG R	2.2kΩ 1/10W J
R0166	NRSA02J-102X	MG R	1kΩ 1/10W J
R0167-68	NRSA02J-151X	MG R	150Ω 1/10W J
R0169	NRSA02J-271X	MG R	270Ω 1/10W J
R0170	NRSA02J-222X	MG R	2.2kΩ 1/10W J
R0171	NRSA02J-151X	MG R	150Ω 1/10W J
R0172	NRSA02J-331X	MG R	330Ω 1/10W J
R0174	NRSA02J-561X	MG R	560Ω 1/10W J
R0176	NRSA02J-561X	MG R	560Ω 1/10W J
R0178	NRSA02J-152X	MG R	1.5kΩ 1/10W J

△ Symbol No.	Part No.	Part Name	Description
RESISTOR			
R0301	NRSA02J-153X	MG R	15kΩ 1/10W J
R0302	NRSA02J-823X	MG R	82kΩ 1/10W J
R0303-04	NRSA02J-101X	MG R	100Ω 1/10W J
R0305-07	NRSA02J-103X	MG R	10kΩ 1/10W J
R0601	NRSA02J-102X	MG R	1kΩ 1/10W J
R0602	NRSA02J-822X	MG R	8.2kΩ 1/10W J
△ R0603	QRZ9017-470	F R	47Ω 1/4W J
R0604	NRSA02J-104X	MG R	100kΩ 1/10W J
R0605	NRSA02J-683X	MG R	68kΩ 1/10W J
R0606	NRSA02J-272X	MG R	2.7kΩ 1/10W J
R0607	NRSA02J-392X	MG R	3.9kΩ 1/10W J
R0608-09	NRSA02J-562X	MG R	5.6kΩ 1/10W J
R0801-02	NRSA02J-820X	MG R	82Ω 1/10W J
R0803	NRSA02J-103X	MG R	10kΩ 1/10W J
R0804-09	NRSA02J-101X	MG R	100Ω 1/10W J
R0810-11	NRSA02J-393X	MG R	39kΩ 1/10W J
R0814-17	NRSA02J-0R0X	MG R	0.0Ω 1/10W J
R0820	NRSA02J-103X	MG R	10kΩ 1/10W J
R0822	NRSA02J-103X	MG R	10kΩ 1/10W J
R0824	NRSA02J-222X	MG R	2.2kΩ 1/10W J
R0825	NRSA02J-102X	MG R	1kΩ 1/10W J
R0826	NRSA02J-222X	MG R	2.2kΩ 1/10W J
R0827	NRSA02J-0R0X	MG R	0.0Ω 1/10W J
R0828	NRSA02J-331X	MG R	330Ω 1/10W J
R0829	NRSA02J-222X	MG R	2.2kΩ 1/10W J
R0830	NRSA02J-0R0X	MG R	0.0Ω 1/10W J
R0831	NRSA02J-150X	MG R	15Ω 1/10W J
R0832	NRSA02J-151X	MG R	150Ω 1/10W J
R0833	NRSA02J-182X	MG R	1.8kΩ 1/10W J
R0834	NRSA02J-0R0X	MG R	0.0Ω 1/10W J
R0835	NRSA02J-150X	MG R	15Ω 1/10W J
R0836	NRSA02J-151X	MG R	150Ω 1/10W J
R0837	NRSA02J-332X	MG R	3.3kΩ 1/10W J
R0838	NRSA02J-0R0X	MG R	0.0Ω 1/10W J
R0839	NRSA02J-222X	MG R	2.2kΩ 1/10W J
R0840	NRSA02J-822X	MG R	8.2kΩ 1/10W J
R0841	NRSA02J-103X	MG R	10kΩ 1/10W J
R0842	NRSA02J-562X	MG R	5.6kΩ 1/10W J
R0843	NRSA02J-472X	MG R	4.7kΩ 1/10W J
R0844	NRSA02J-222X	MG R	2.2kΩ 1/10W J
R0845-48	NRSA02J-221X	MG R	220Ω 1/10W J
R0849	NRSA02J-222X	MG R	2.2kΩ 1/10W J
R0850	NRSA02J-101X	MG R	100Ω 1/10W J
R0851	NRSA02J-153X	MG R	15kΩ 1/10W J
R0852	NRSA02J-472X	MG R	4.7kΩ 1/10W J
R0853-54	NRSA02J-102X	MG R	1kΩ 1/10W J
R0855	NRSA02J-223X	MG R	22kΩ 1/10W J
R0856-58	NRSA02J-473X	MG R	47kΩ 1/10W J
R0859-62	NRSA02J-562X	MG R	5.6kΩ 1/10W J
R0867-68	NRSA02J-101X	MG R	100Ω 1/10W J
R0869-71	NRSA02J-820X	MG R	82Ω 1/10W J
R0872-74	NRSA02J-821X	MG R	820Ω 1/10W J
R0875-99	NRSA02J-820X	MG R	82Ω 1/10W J
R0900-04	NRSA02J-820X	MG R	82Ω 1/10W J

CAPACITOR

C0001	NCB21HK-222X	C CAP.	2200pF 50V K
C0002	NEH71CM-106X	E CAP.	10μF 16V M
C0005	NCF21EZ-104X	C CAP.	0.1μF 25V Z
C0006	QETN1CM-107Z	E CAP.	100μF 50V M
C0007	NEHE1EM-107X	E CAP.	100μF 25V M
C0008	NCF21EZ-104X	C CAP.	0.1μF 25V Z
C0009	NCB21HK-102X	C CAP.	1000pF 50V K
C0100	NEHE1CM-227X	E CAP.	220μF 16V M
C0102-05	NCB21HK-472X	C CAP.	4700pF 50V K
C0110	NCB21HK-222X	C CAP.	2200pF 50V K
C0111	NEH71HM-335X	E CAP.	3.3μF 50V M
C0112	QFLB1HJ-683	M CAP.	0.068μF 50V J
C0113	NEH71HM-105X	E CAP.	1μF 50V M
C0114	NDC21HJ-561X	C CAP.	560pF 50V J
C0115	NEH71HM-335X	E CAP.	3.3μF 50V M

△ Symbol No.	Part No.	Part Name	Description
RESISTOR			
C0116	NEHE1EM-107X	E CAP.	100μF 25V M
C0117	NCB21HK-103X	C CAP.	0.01μF 50V K
C0118	NCB21HK-682X	C CAP.	6800pF 50V K
C0120	NEH71HM-105X	E CAP.	1μF 50V M
C0123	NEHE1EM-107X	E CAP.	100μF 25V M
C0124	NCB21HK-103X	C CAP.	0.01μF 50V K
C0125	NCB21HK-103X	C CAP.	0.01μF 50V K
C0126	NCB21HK-103X	C CAP.	0.01μF 50V K
C0129	QETM1CM-107	E CAP.	100μF 16V M
C0130	NDC21HJ-102X	C CAP.	1000pF 50V J
C0131	NEH71HM-474X	E CAP.	0.47μF 50V M
C0133	NCB21HK-472X	C CAP.	4700pF 50V K
C0134	NCB21HK-472X	C CAP.	4700pF 50V K
C0135	NEH71EM-336X	E CAP.	33μF 25V M
C0136	NCB21HK-103X	C CAP.	0.01μF 50V K
C0137	NCB21HK-472X	C CAP.	4700pF 50V K
C0138	NEH71HM-474X	E CAP.	0.47μF 50V M
C0142	NCB21HK-103X	C CAP.	0.01μF 50V K
C0143-44	NCB21HK-472X	C CAP.	4700pF 50V K
C0145	NCF21EZ-104X	C CAP.	0.1μF 25V Z
C0148	NRSA02J-0R0X	MG R	0.0Ω 1/10W J
C0149	NCF21EZ-104X	C CAP.	0.1μF 25V Z
C0153	NDC21HJ-221X	C CAP.	220pF 50V J
C0154-55	NCF21EZ-104X	C CAP.	0.1μF 25V Z
C0160	NEH71CM-476X	E CAP.	47μF 16V M
C0165	NCB21HK-103X	C CAP.	0.01μF 50V K
C0166	NRSA02J-0R0X	MG R	0.0Ω 1/10W J
C0304	NCB21HK-332X	C CAP.	3300pF 50V K
C0305	NCF21EZ-474X	C CAP.	0.47μF 25V Z
C0306	NEN51HM-105X	CHIP AL BP E CAP	1μF 50V M
C0307	NCF21EZ-104X	C CAP.	0.1μF 25V Z
C0308	NCB21HK-332X	C CAP.	3300pF 50V K
C0309	NCF21EZ-104X	C CAP.	0.1μF 25V Z
C0310-11	NDC21HJ-150X	C CAP.	15pF 50V J
C0312-16	NCF21EZ-104X	C CAP.	0.1μF 25V Z
C0317	QETN1AM-477Z	E CAP.	470μF 10V M
C0318-20	NCF21EZ-104X	C CAP.	0.1μF 25V Z
C0321-23	NEH71CM-476X	E CAP.	47μF 16V M
C0601	NCB21HK-393X	C CAP.	0.039μF 50V K
C0602	QETN1CM-107Z	E CAP.	100μF 16V M
C0603	NCB21HK-103X	C CAP.	0.01μF 50V K
C0604	NEH71CM-476X	E CAP.	47μF 16V M
C0605	NEH71CM-106X	E CAP.	10μF 16V M
C0606	NEH71HM-105X	E CAP.	1μF 50V M
C0800	NEH71CM-106X	E CAP.	10μF 16V M
C0801	NEH71CM-476X	E CAP.	47μF 16V M
C0802-03	NCF21EZ-104X	C CAP.	0.1μF 25V Z
C0804	NCB21HK-104X	CHIP CAP.	0.1μF 50V K
C0805-08	NCF21EZ-104X	C CAP.	0.1μF 25V Z
C0809	NCB21HK-104X	CHIP CAP.	0.1μF 50V K
C0813-14	NCF21EZ-104X	C CAP.	0.1μF 25V Z
C0817	NCB21HK-104X	CHIP CAP.	0.1μF 50V K
C0818	NCF21EZ-104X	C CAP.	0.1μF 25V Z
C0822-26	NCF21EZ-104X	C CAP.	0.1μF 25V Z
C0829-36	NCF21EZ-104X	C CAP.	0.1μF 25V Z
C0837-38	NEH71CM-476X	E CAP.	47μF 16V M
C0844	NCF21EZ-104X	C CAP.	0.1μF 25V Z
C0845	NEH71CM-476X	E CAP.	47μF 16V M
C0846	NDC21HJ-270X	C CAP.	27pF 50V J
C0850	NEH71CM-106X	E CAP.	10μF 16V M
C0851-52	NCB21EK-104X	C CAP.	0.1μF 25V K
C0853	NEH71CM-106X	E CAP.	10μF 16V M
C0854-55	NCB21EK-104X	C CAP.	0.1μF 25V K
C0856	NEH71CM-476X	E CAP.	47μF 16V M
C0857	NEH71EM-475X	E CAP.	4.7μF 25V M
C0858	NCF21EZ-104X	C CAP.	0.1μF 25V Z
C0859	NDC21HJ-220X	C CAP.	22pF 50V J
C0860	NDC21HJ-680X	C CAP.	68pF 50V J
C0861	NDC21HJ-220X	C CAP.	22pF 50V J
C0862-64	NDC21HJ-680X	C CAP.	68pF 50V J
C0865	NEH71CM-106X	E CAP.	10μF 16V M
C0866-71	NCF21EZ-104X	C CAP.	0.1μF 25V Z

△ Symbol No.	Part No.	Part Name	Description
CAPACITOR			
C0872	NCB21HK-104X	CHIP CAP.	0.1μF 50V K
C0873	NCF21E2-104X	C CAP.	0.1μF 25V Z
C0874	NCB21HK-104X	CHIP CAP.	0.1μF 50V K
C0875	NEN51HM-105X	CHIP AL BP E CAP	1μF 50V M
C0876	NDC21HJ-221X	C CAP.	220pF 50V J
C0877	NEH71CM-106X	E CAP.	10μF 16V M

TRANSFORMER			
T0001	QQR0626-001	I.F. TRANSF.	
T0102	CELT040-301	S.I.F. TRANSF.	
T0103	CELT001-307	C.WAVE TRANSF.	

COIL			
L0002-05	NQL024J-100X	COIL	10μH
L0100	QQLZ014-R47	PEAKING COIL	0.47μH
L0102	NQL011K-1R5X	COIL	1.5μH
L0103	NQL024J-120X	COIL	12μH
L0107	NQL011K-2R2X	COIL	2.2μH
L0109	NQL011K-5R6X	COIL	5.6μH
L0152	NQL011K-8R2X	COIL	8.2μH
L0153	NQL011K-5R6X	COIL	5.6μH
L0165	NQL011K-4R7X	COIL	4.7μH
L0801	NQL02BJ-4R7X	COIL	4.7μH
L0803	NQL011K-4R7X	COIL	4.7μH
L0804	NQL02BJ-4R7X	COIL	4.7μH

TRANSISTOR			
Q0100	25C5083/L-P/-T	SI. TRANSISTOR	
Q0105	25C2712/YG/-X	SI. TRANSISTOR	
Q0108	25C2712/YG/-X	SI. TRANSISTOR	
Q0110	25C2712/YG/-X	SI. TRANSISTOR	
Q0166	25A1162/YG/-X	SI. TRANSISTOR	
Q0168-69	25C2712/YG/-X	SI. TRANSISTOR	
Q0600-01	25C2712/YG/-X	SI. TRANSISTOR	
Q0801-04	25A1162/YG/-X	SI. TRANSISTOR	
Q0805	25C2712/YG/-X	SI. TRANSISTOR	
Q0806-07	25A1162/YG/-X	SI. TRANSISTOR	
Q0808-09	25C2712/YG/-X	SI. TRANSISTOR	
Q0810	25A1162/YG/-X	SI. TRANSISTOR	

IC			
IC0101	TA8865BN	I.C. (MONO-ANA)	
IC0301	TDA9143/N3	I.C. (MONO-ANA)	
IC0302	TDA4665/V5	I.C. (MONO-ANA)	
IC0303	LA7016	I.C. (MONO-ANA)	
IC0801	SAB9079HS/N1	I.C. (DIGI-MOS)	
IC0802	MSM5416283-60-X	4M VD-RAM	
IC0803	AN5860	I.C. (MONO-ANA)	
IC0804	TC4066BF/N/-XE	I C	
IC0805	CXA1875AM-X	I.C. (MONO-ANA)	

OTHERS			
CF0101	LC30835-001A-C	SHIELD COVER	
CF0102-03	CSB503F30-T2	CER. RESONATOR	
CF0160	FTP41.50MF	CERAMIC FILTER	
CF0164	TPSH6.0MB	CERAMIC FILTER	
K0001-02	QAX0337-001	CERAMIC FILTER	
L0805-06	CE41433-001Z	BEADS CORE	
SF0100	NQL011K-4R7X	COIL	4.7μH
SF0102	QAX0315-001	SAW FILTER	
SF0102	QAX0352-002	SAW FILTER	
TU0001	QAU0132-001	TUNER	
UD0001	CEGA016-001	RF SPLITTER	
W0001	NRSA02J-OROX	MG R	0.0Ω 1/10W J
X0301	CE40749-001Z	CRYSTAL	
X0302	CE40668-001Z	CRYSTAL	

△ Symbol No.	Part No.	Part Name	Description
OTHERS			
Y0103-07	NRSA02J-OROX	MG R	0.0Ω 1/10W J
Y0110	NRSA02J-OROX	MG R	0.0Ω 1/10W J

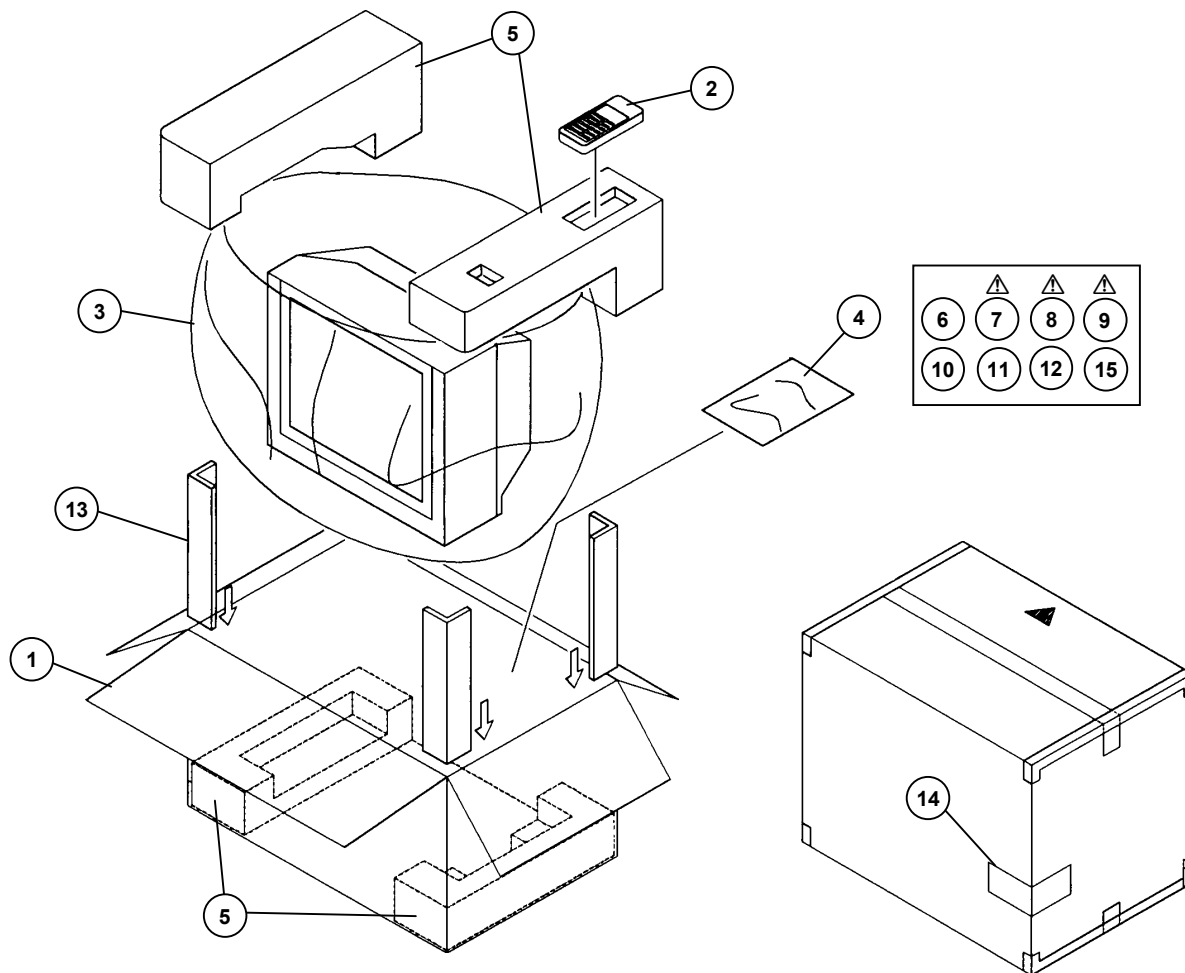
SUB MICON & AUTO PANORAMA PW BOARD ASS'Y (SMD0W001A-U2)

Refer to PARTS LIST in page 23 for this P.W. board.

100Hz PW BOARD ASS'Y (SMD0Z005A-U2)

Refer to PARTS LIST in page 24 for this P.W. board.

PACKING



PACKING PARTS LIST

Symbol No.	Part No.	Part Name	Description
[AV-32WFP1EU(A)]			
	1	AEM1002-065-E	PACKING CASE
	2	RM-C787-1E	REMOCON UNIT
	3	AEM3021-002-E	POLY BAG
	4	AEM1047-002-E	POLY BAG
	5	LC10384-002C-U	PACKING CUSHION 4pcs in 1set
	6	BT-54013-1E	WARRANTY CARD
△	7	LCT0337-002A-U	INST. BOOK For ENG/GER/FRA/NED/ITA/ESP
△	8	LCT0338-002A-U	INST. BOOK For FIN/NOR/DEN/SWE/POR
△	9	LCT0339-002A-U	INST. BOOK For POL/CZE/HUN/ROM/BUL/RUS
	10	32WFP1EU-HSAE	SCH. DIAGRAM ONLY ITALY(SERVICE)
	11	LC30789-002A-U	WARNING LABEL
	12	AEM1053-001-E	X-RAY CARD
	13	AEM3119-001-E	CORNER PAD (x4)
	14	AEM1052-005-E	EURO LABEL

Symbol No.	Part No.	Part Name	Description
[AV-32WFP1EUI(A)]			
	1	AEM1002-065-E	PACKING CASE
	2	RM-C787-1E	REMOCON UNIT
	3	AEM3021-001-E	POLY BAG
	4	AEM1047-002-E	POLY BAG
	5	LC10384-002C-U	PACKING CUSHION 4pcs in 1set
	6	BT-54013-1E	WARRANTY CARD
△	7	LCT0337-002A-U	INST. BOOK
	13	AEM3119-001-E	CORNER PAD (x4)
	14	AEM1052-004-E	EURO LABEL

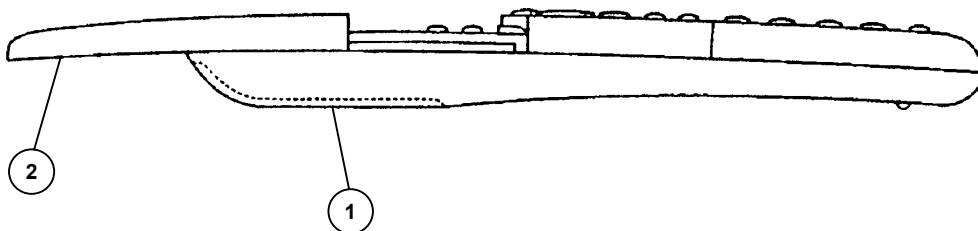
Symbol No.	Part No.	Part Name	Description
[AV-32WFP1EK(A)]			
	1	AEM1002-065-E	PACKING CASE
	2	RM-C786-1E	REMOCON UNIT
	3	AEM3021-001-E	POLY BAG
	4	AEM1047-002-E	POLY BAG
	5	LC10384-002C-U	PACKING CUSHION 4pcs in 1set
	6	BT-54013-1E	WARRANTY CARD
△	7	LCT0340-002A-U	INST. BOOK
	13	AEM3119-001-E	CORNER PAD (x4)
	14	AEM1052-003-E	EURO LABEL
	15	AEM3148-001-E	REG. SHEET

REMOTE CONTROL UNIT PARTS LIST

[AV-32WFP1EU(A) / AV-32WFP1EUI(A) : RM-C787-1E]

[AV-32WFP1EK(A) : RM-C786-1E]

△ Ref.No.	Part No.	Part Name	Description	Local
RM-C787-1E				
1	BGV110202A	BATTERY COVER		
2	BGV110312A	SLIDE COVER		
RM-C786-1E				
1	BGV110202A	BATTERY COVER		
2	BGV110311A	SLIDE COVER		



JVC

VICTOR COMPANY OF JAPAN, LIMITED

TELEVISION RECEIVER DIVISION 1106 Heta, Iwai-city, Ibaraki-prefecture, 306-0698, Japan

32WFP1EUACKD #3
32WFP1EUIACK #3
32WFP1EKACKD #3



Printed in Japan
VP 0006
DP1052